

■ **Features**

- Single output from 36W
- 100-240Vac Universal input
- Certificates: UL, cUL, CE
- PoE: Power over Ethernet 1000Mbps(1Gbps)
- OPP, OVP, SCP and Input Protections
- Efficiency Level VI
- 2-year warranty
- Dimensions: TBD



*Product images are for illustrative purposes only and may vary from actual design.

■ **Application**

- Consumer electronics and office equipment
- Industrial equipment

■ **Model List**

Custom Designs Available!

Model	Output Voltage	Output Current	Power	Certificates
DT036SP-120-X	12V	3A	36W	UL/cUL, CE
DT036SP-150-X	15V	2.4A	36W	UL/cUL, CE
DT036SP-240-X	24V	1.5A	36W	UL/cUL, CE
DT036SP-480-X	48V	0.75A	36W	UL/cUL, CE

*Available in 0.1V increments please contact Autec Sales for more information

■ **Technical Data**

Frequency	50/60Hz
Input voltage	100-240Vac(nom); 90-264Vac(max)
Input Current	0.75A max. 220Vac/60Hz max. load
Inrush Current	50A max@120Vac, 100A max@230Vac
Efficiency	85% Efficiency level VI
Line Regulation	±1%
Load Regulation	±5% Note 2
Ripple and noise	1% Note 1
Over Voltage Protection	When the output voltage reaches the threshold point the power supply will latch and shutdown. The product needs to recycle the AC input to release the latch status. Range 59V-68Vdc
Short Circuit Protection	Output short to GND terminal will not be damaged. The power supply will auto-recover when the load short condition is removed. Short resistance <0.1ohm.
Over Power Protection	When max load exceeds 110%-160% the power supply will enter recovery mode automatically.
Input Protection	Fuse protection
Operation temperature	0 °C to + 40°C

Technical Sales / Customer Service: +1-818-338-7788 • Email: sales@autec.com
31328 Via Colinas Suite 102 • Westlake Village, CA 91362 USA • www.autec.com

January 15, 2019

■ **Technical Data(cont.)**

Storage Temperature	-20°C to +65°C
Humidity	5-90% RH non-condensing
Cooling	Convection cooling
Case Dimensions	TBD
Hold up time	8mS min. at maximum load at normal input voltage

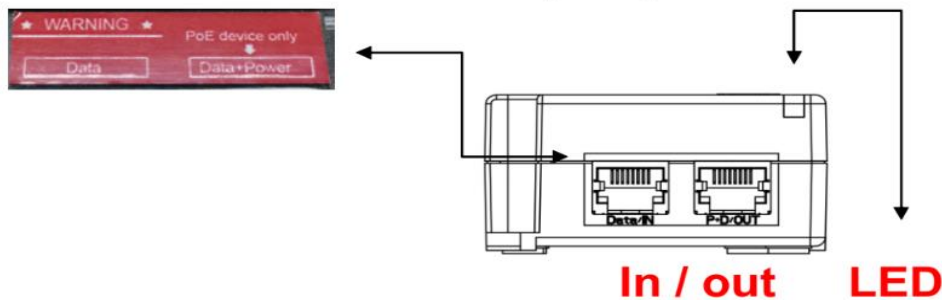
Notes:

1. Ripple and noise must be measured from DC Side with 20Mhz bandwidth, connected with a 47uF E-cap and 0.1uf ceramic capacitor of proper polarity.
2. Load and line regulation test at RJ45 terminal

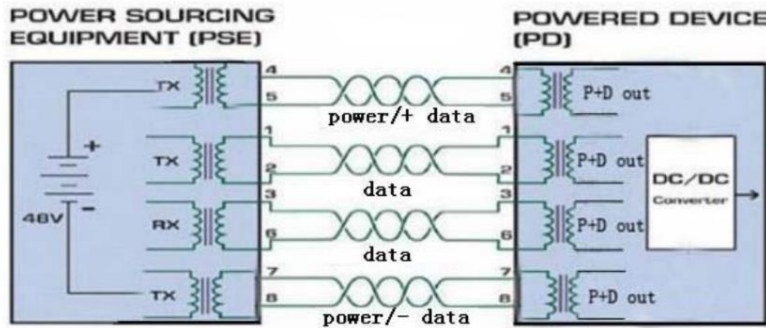
■ **Safety Standards**

Dielectric Voltage	Primary to Secondary 3000Vac, 10mA/1min (HI-POT)
Isolation Resistance	Primary to Secondary > 50M @ 500Vdc
EMI	Meet FCC Part 15 Class B/EN55022 Class B
Safety Standard	Meet CSA 22.2 & IEC/EN60950-1, Compliant with the IEEE802.3

■ **Mechanical Diagram**

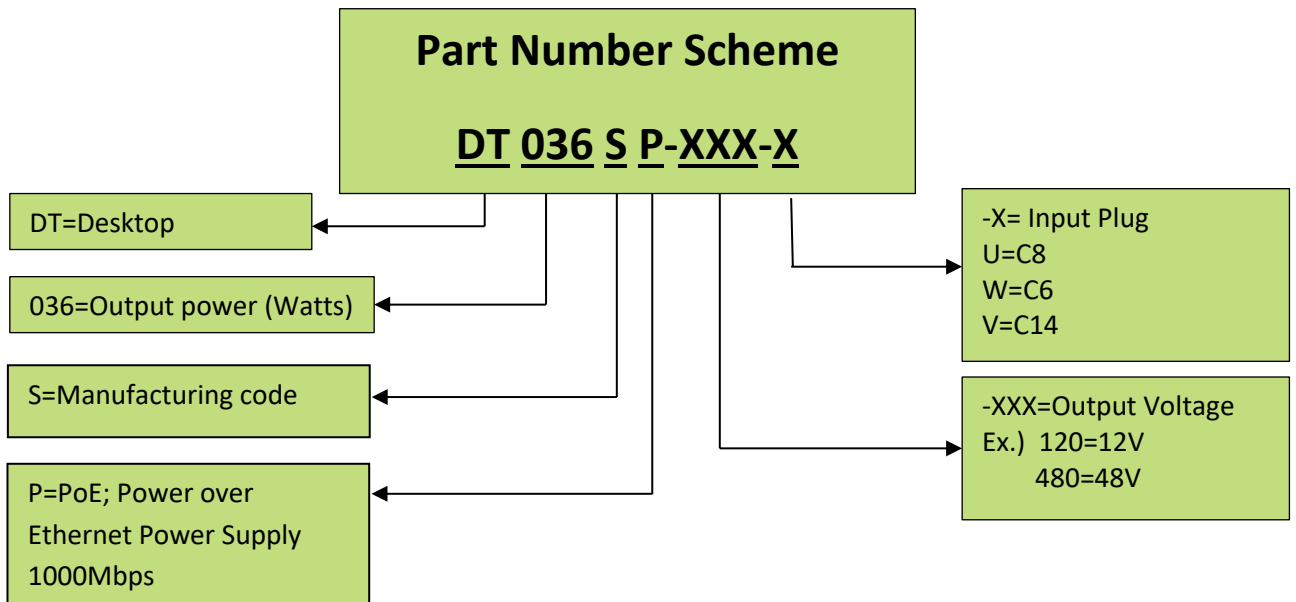


■ RJ45 Connector Drawing



Polarity: 8PIN RJ45 connector

PIN 4 & 5: V+ / PIN 7 & 8: V-



*Some Safety Agency Approvals may differ from what is shown. Contact Autec Sales!

*Product images are for illustrative purposes only and may vary from actual design.

*Specifications are subject to change without notice. Autec is not responsible for issues arising from errors or omissions.