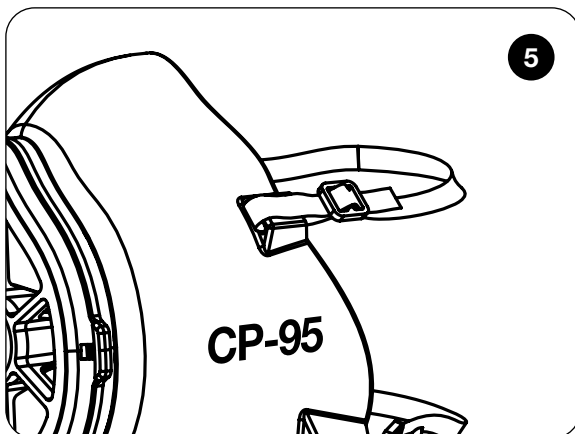
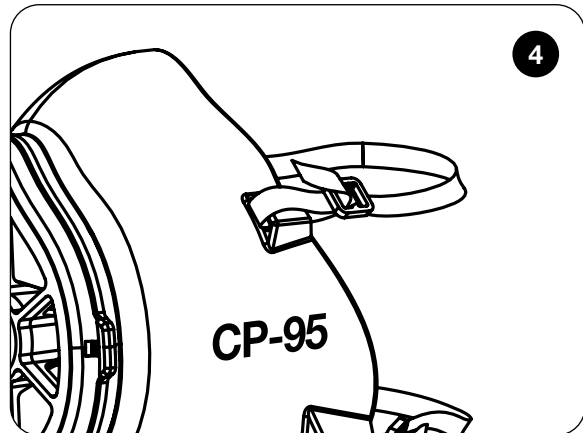
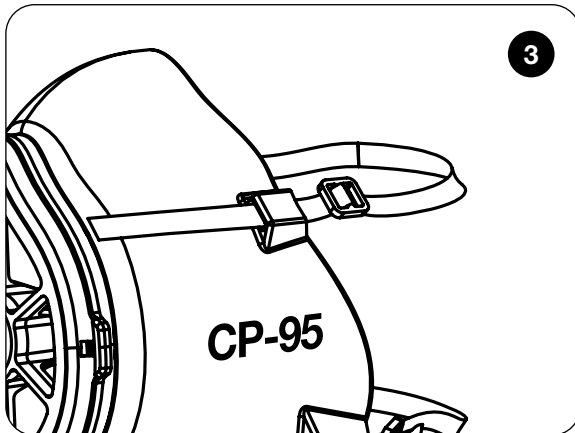
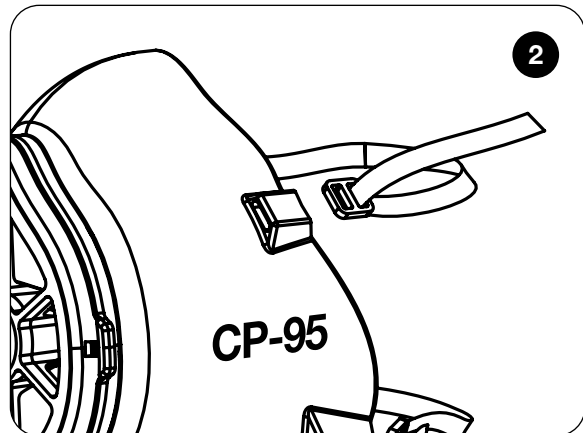
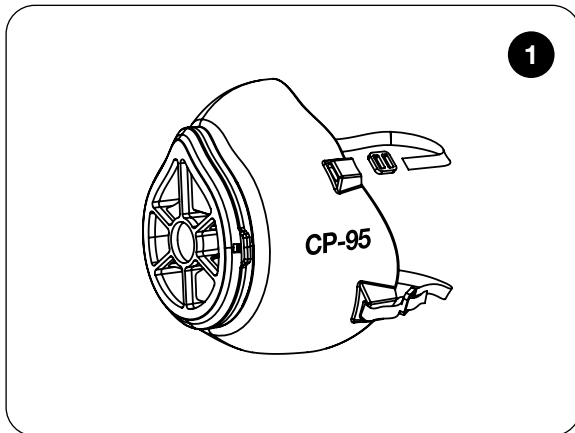


CP-95

by Continuous Composites

STRAP ASSEMBLY INSTRUCTIONS

We care about providing the highest level of sterilization for this product. Removable strap parts arrive disassembled and separately packaged to maintain sterility of all materials. Please find the easy-to-follow instructions for the assembly and use of your CP-95 Face Mask.



Need more help?

To view an animation of the assembly instructions, please visit: <https://cf3d.co/support/strap-assembly>.