

# RD121WS-T Wide Screen Touch panel

---



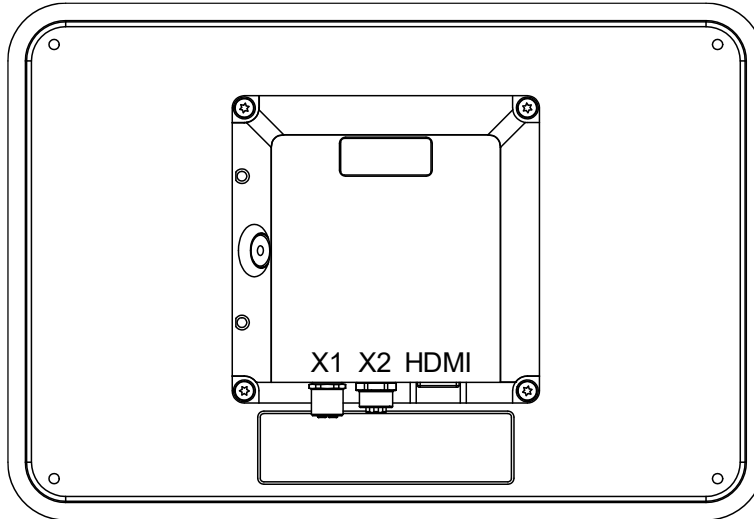
- 12,1" wide screen
- Capacitive touch panel
- 188° viewing angle
- Single cable connection
- Resolution 1280 x 800
- -30 - +85 °C

RD121WS-T is 12,1 inches, wide screen, high resolution touch panel. It is capable to show detailed graphics in high resolution. Integrated Anti-glare film and Hard-coated surface makes it ideal for harsh environment. Single cable connection makes installation and locating panel very easy and versatile. Touch panel is designed to use with MIC1000S, MIC2000S, MIC2100S or MID2170S. Screen can be also feed with external video source trough HDMI.

## Technical Information

- 12,1 inches widescreen with capacitive touch panel
- Resolution 1280 x 800 pixels
- Luminance 1200 cd/m<sup>2</sup>
- Hard coated, Anti-glare surface
- Operating temperature -30 - +85 °C
- Main dimensions 295(w) mm x 197(h) mm x 40(d) mm
- IP67 aluminium housing
- 188 ° viewing angle
- VESA75 mounting option
- Weight 1,9 kg

## Connectors location



## Connectors

Connector needed:

X1: MIC2100S or MID2170S.	M12 8-pin male, X-coded.
X2: MIC1100S or MIC2000S.	M12 4-pin male, D-coded.
HDMI: External source. <sup>1</sup>	HDMI male.

1) When using HDMI connection, power supply must be connected to X1 or X2 (See the pinout below).

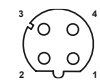
X1	
1	VCC
2	VCC
3	GND
4	GND
5	GND
6	GND
7	RD_DIN-
8	RD_DIN+

X2	
1	RD_DIN+
2	VCC
3	RD_DIN-
4	GND

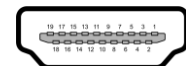
X1



X2



HDMI



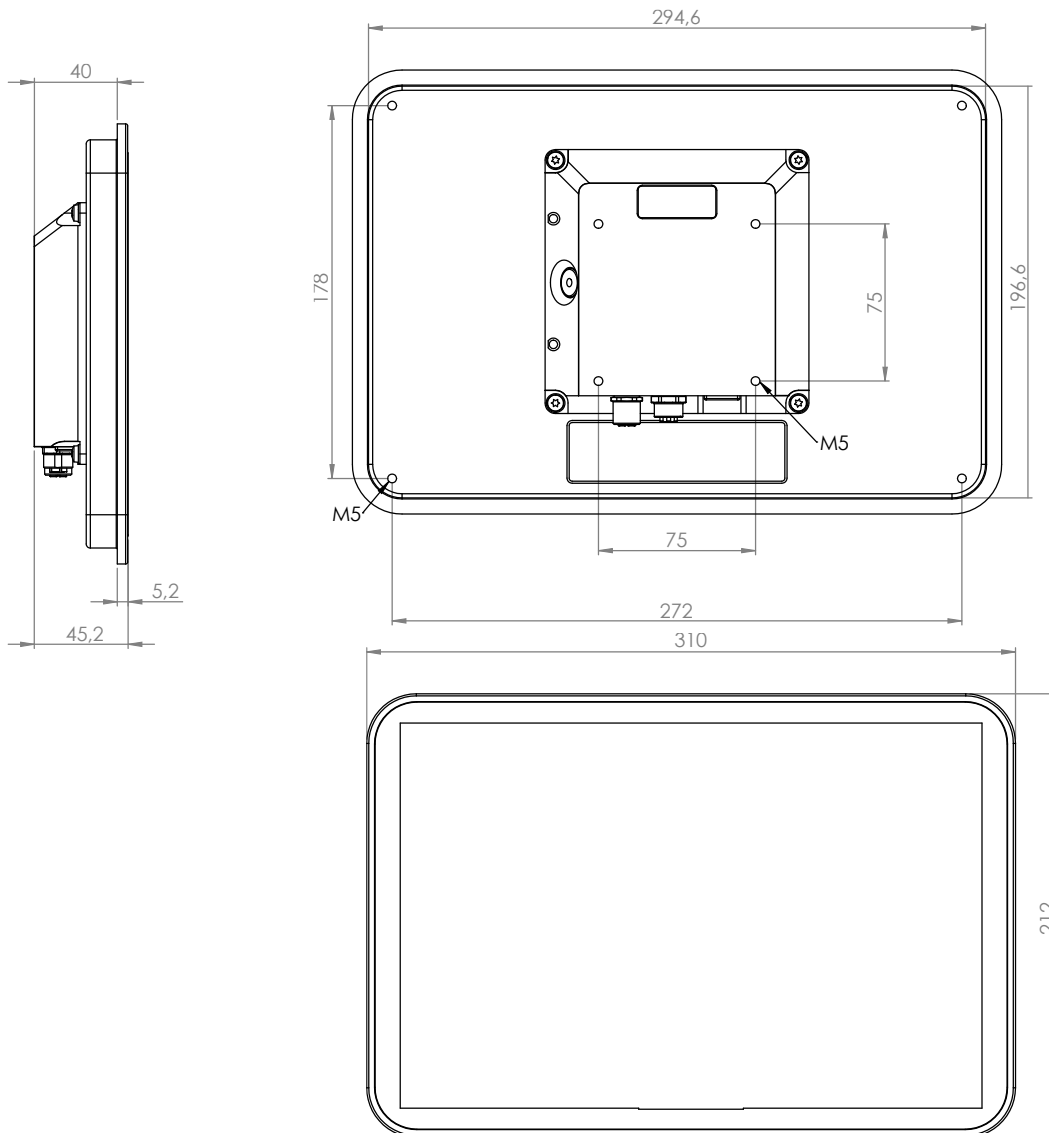
As seen from cable entry side

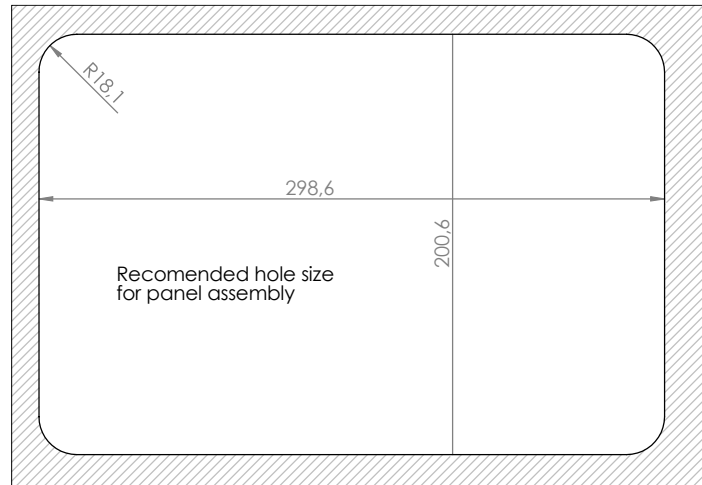
## Cables

- Cable meeting CAT6 standard is recommended.
- Maximum cable length is 10 m
- Use same twisted pair for DIN- and DIN+ signals

### Mounting and Housing Information

RD121WS-T can be mounted to bracket or a panel. For bracket mounting there are threaded holes according to VESA-standard. Hole spacing is 75 mm x 75 mm. The screw size is M5 and clearance 10 mm. For panel mounting there are threaded holes in each corner. Spacing is 272 mm x 178 mm. The screw size is M5 and clearance 7 mm.





The preferred mounting position is connectors pointing downwards. If the unit is mounted connectors pointing to the side, then it is vital to leave some loose cable with a downward cue to prevent the ingress of moisture through connector.

