



HCM4100S

Technical Data Sheet



HCM4100S Hybrid Sensor



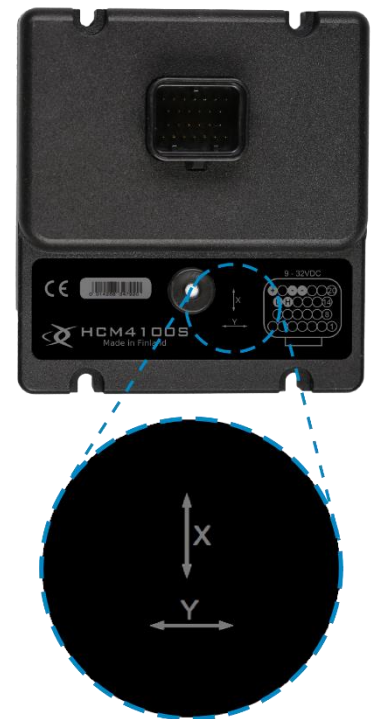
- 2 Axis inclinometer
- 20 configurable I/O's
- 1 CANbus
- 1 RS232
- Intelligent CANopen profile
- Designed for operation at both 12V and 24V

HCM4100S Hybrid Sensor features combines dual accelerometer and intelligent node with 20 configurable I/O lines. Sensor is targeted for tough environmental conditions for applications where high stability is required.

Advanced sensor design minimises disturbances from mechanical shocks and vibration.

Technical Information

- 9-32V operating voltage range
(Protected against reverse polarity)
- Less than 100mA current consumption at no load
- $\pm 90^\circ$ inclinometer measuring range (X & Y)
0.1° accuracy ($\pm 45^\circ$)
0.5° accuracy ($-85^\circ \dots -45^\circ$ and $45^\circ \dots 85^\circ$)
- $-40 \dots +85^\circ\text{C}$ operating temperature range
- 32-bit microprocessor
- IP67 aluminium housing
- Weight 0.6kg
- Main dimensions 112mm x 102mm x 34mm
- One 26 pin AMP Super Seal connector
- CAN interface 2.0B, ISO 11898
- RS232 interface



I/O Interface

- Total of 20 configurable IO-lines
- The I/O interface is protected against short to GND and to supply voltage
- Configurable reference voltage: 5V / 10V, max 250mA

Amount	Configurability	Details
2	Digital input, use only with Vref RS232	Low<3.5V, High>5V, max 100Hz
6	Digital input Analog input	Low<3.5V, High>5V, max 100Hz 12-bit AD conv., 0-10.3V/0-22mA
8	Digital input Digital output Current controlled PWM output	Low<3.5V, High>5V, max 100Hz High side switch, max. 3A High side switch, max. 3A
4	Digital input Frequency/pulse input/Quadrature Digital output PWM output	Low<3.5V, High>5V, max 100Hz Low<3.5V, High>5V, max 8kHz High side switch, max. 3A High side switch, max. 3A

Inclinometer

The product has built-in inclinometer. The data from it is brought to CAN bus as default:

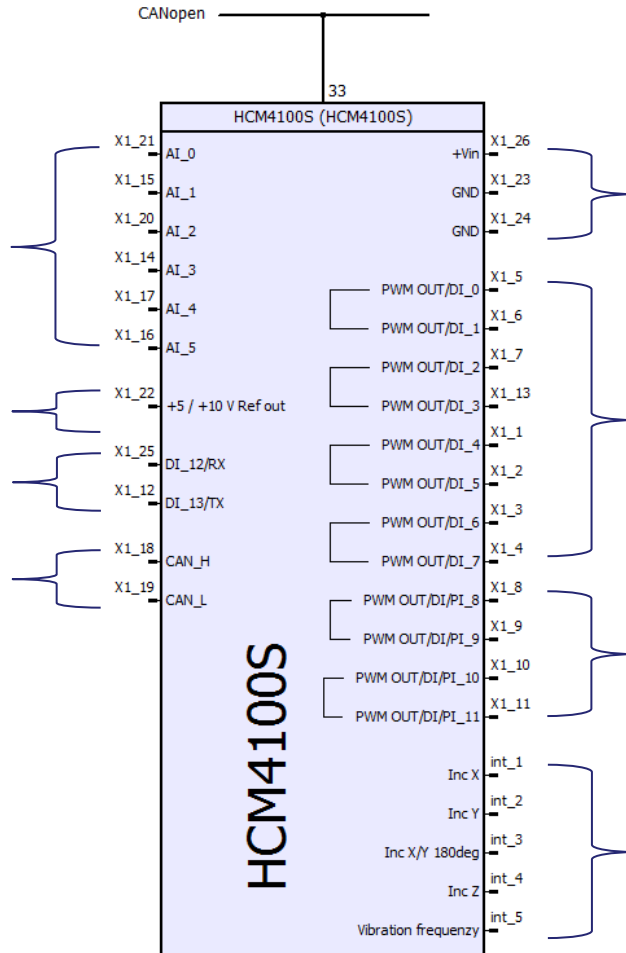
TPDO5	Description	Details
Byte 0	X angle	-900 ... +900 [equals -90.0° ... +90.0°]
Byte 2	Y angle	-900 ... +900 [equals -90.0° ... +90.0°]
Byte 4	X angle speed	10=1.0 °/s, accuracy 0.2
Byte 6	X angle speed	10=1.0 °/s, accuracy 0.2

TPDO6	Description	Details
Byte 0	X angle acceleration	10=1.0 °/s ² , accuracy 0.4
Byte 2	Y angle in acceleration	10=1.0 °/s ² , accuracy 0.4
Byte 4	X/Y full rotation	-1800 ... +1800 [equals -180.0° ... +180.0°]
Byte 6	Vibration frequency	1=1Hz *)

*) The measurement axis can be selected over object 2027h

Wiring Diagram:

- Analog inputs**
12-bit resolution
0-10.3V / 0-22mA
or
Digital inputs
or
Node ID selection
only AI_4
- Reference voltage out**
250mA
- Digital inputs**
or
RS232
- ISO high speed CAN**

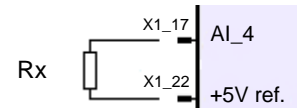


- Supply**
Max 10A fuse
- Digital outputs**
High side driver, Max 3A
or
PWM outputs
with current measurement
High side driver, Max 3A
or
Digital inputs
- Digital outputs**
High side driver, Max 3A
or
PWM outputs
High side driver, Max 3A
or
Digital inputs
or
Pulse/frequency inputs
- Internal angle outputs**
Virtual contacts for use in programming

Node ID

As default the unit Node address is set by voltage level at AI_4.

Voltage at AI_4	Node ID offset	Rx / Ω
0V	1	open
1.7V	3	150k
3.5V	5	33k
5.2V	7	0
6.9V	9	n/a
8.7V	11	n/a
10.4V	13	n/a

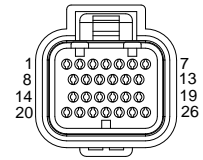


Node ID = Base Node ID (32) + Node ID offset

See also product's CANopen profile for further details.

Connector

Tyco Electronics Super Seal Connector



Needed connector components:

Super Seal Connector Plug Housing	AMP 3-1437290-7
Receptacle Contact (0.75 – 1.25mm ²)	AMP 3-1447221-3
Filler Plug ^{*)}	AMP 4-1437284-3 Deutsch 0413-204-2005

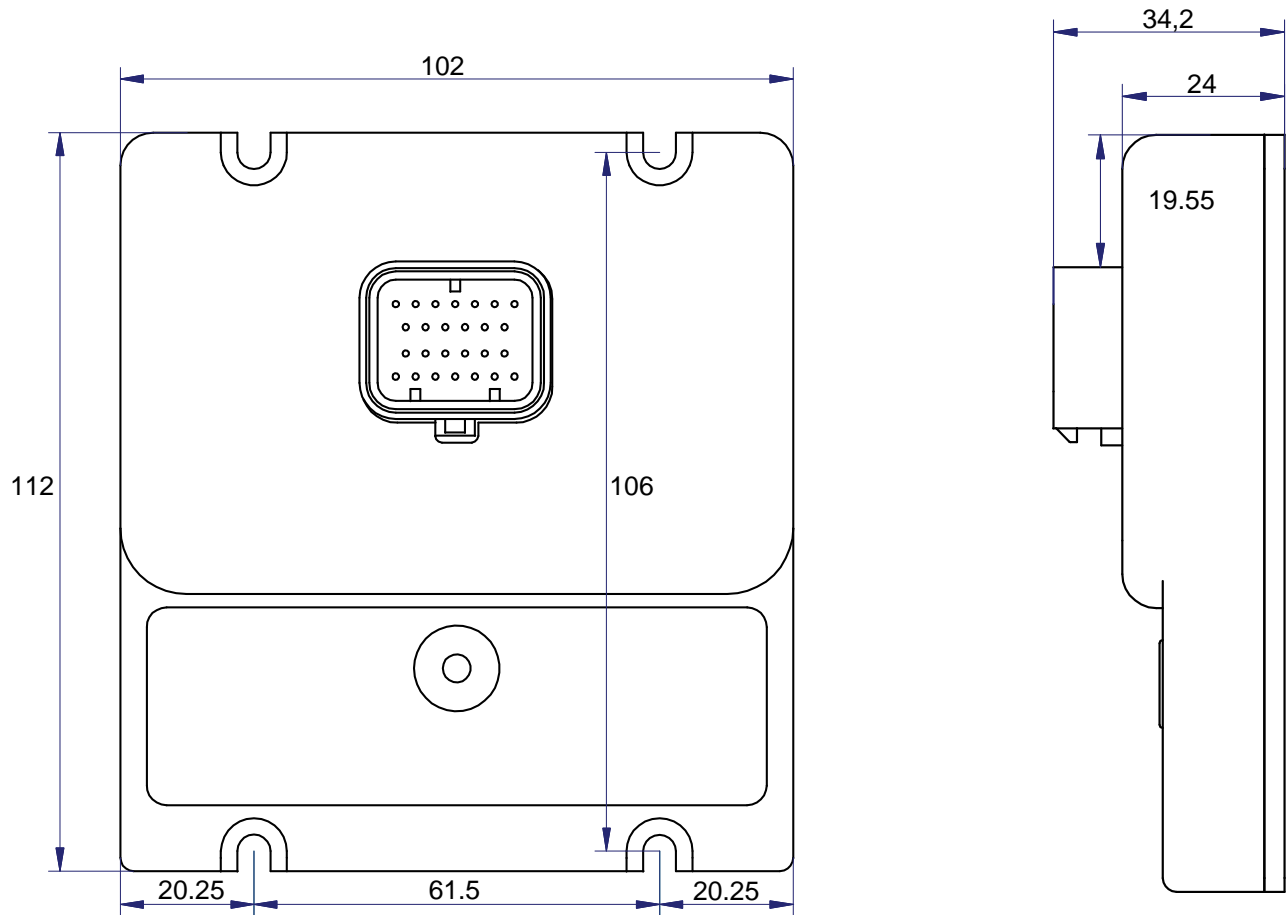
^{*)} Filler plugs must be used to reach waterproofness

Tests & CE compliance – tests still pending

EMC	EN 61000-4-2, Testing and measurement techniques – Electrostatic discharge immunity test E/ECE Regulation No. 10, Revision 4 (2012), Emission and immunity tests IEC 60255-22-1, Electrical disturbance tests for measuring relays and protection equipment – 1 MHz burst immunity test
Environmental	EN 60068-2-1, Cold test IEC 60068-2-2, Dry heat test IEC 60068-2-30, Damp heat test EN 60068-2-6, Stationary vibration EN 60068-2-27, Mechanical shock test IEC 60529, IP6X dust test IEC 60529, IPX7 temporary inversion test to 1m ISO 9227, Salt spray test

Mounting and Housing Dimensions

HCM4100S is fixed to flat surface with four M5 screws. The recommended mounting position is AMP connector facing down or to the side. In latter case it is recommended to leave some loose cable hanging in downward arc to prevent any moisture from accessing the module through the connector.



Exertus reserves the rights to change product details without prior notice.