

mita**bind**

perfect binder for hard- & softcover

- + in line endpaper
- + backlining
- + PUR



digi**book**⁺
technology

mitabind book-block preparation line

mitabind is a short-run perfect binder or book-block preparation line.

Operation

The automatic single-clamp perfect binder and book-block preparation line can be equipped with optional end sheet feeder and lining station.

It is an ideal solution for the finishing of digitally printed books with the possibility to connect the binding line with the previous processes like sheeters after unwinding, folding or sewing equipment.

After binding books or book-blocks they can be transferred in line to the mitatrim PRO 3-knife trimmer. All adjustments are motorized and activated by barcode reader, thickness caliper and pre-programmed files.

Spine gluing can be hot melt or optional PUR. The non-stop cover feeder is equipped for automatic setting of creasing rollers. The binding line can produce up to 400 books per hour.

Special Features

- + Easy operation
- + Motorized size change
- + Bar code recognition
- + All settings touch screen
- + Up to date software
- + Manufacturing cycle easily visible

mitatrim PRO 3-knife automatic trimmer

mitatrim PRO can be installed in line with a perfect binder or hand-fed as stand alone solution.

Operation

On the way to the cutting center the barcode/ Matrix Data is read and all product information is automatically transferred to the control system, all format and thickness relevant components of the machine are adjusted automatically by Servo Motors.

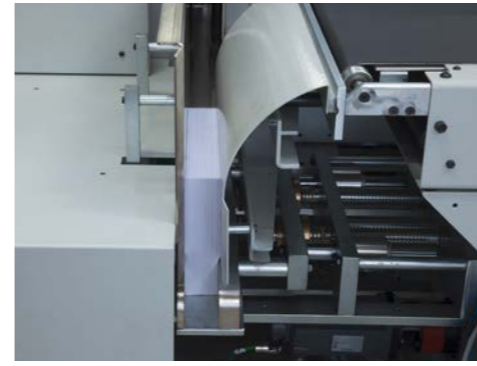
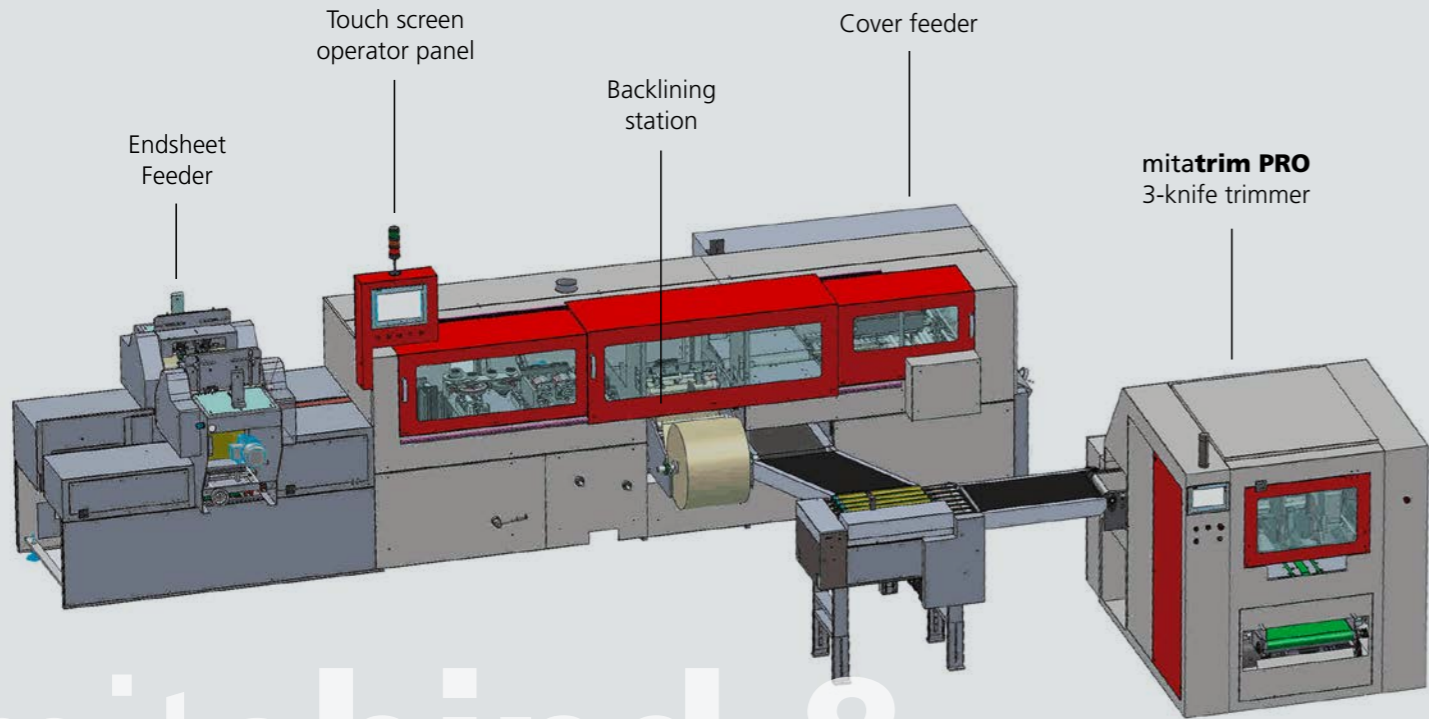
No change parts like pressing plates need to be changed. Before entering the first front trimming station the book block or soft cover book is precisely aligned. In the subsequent second cutting station the head and tail cut is executed. The perfectly trimmed product is brought to the delivery table by transport belts.

Special Features

- + Ease of operation
- + Rapid motorized size change
- + Heavy duty construction
- + Precise cutting
- + Safe to operate



mitabind & mitatrim PRO



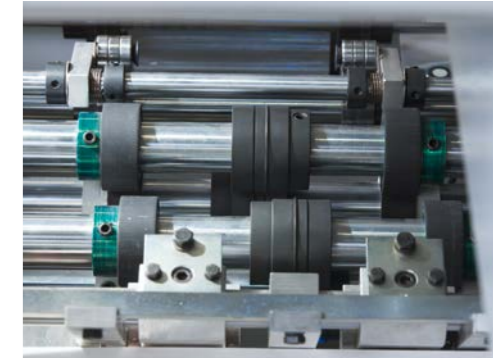
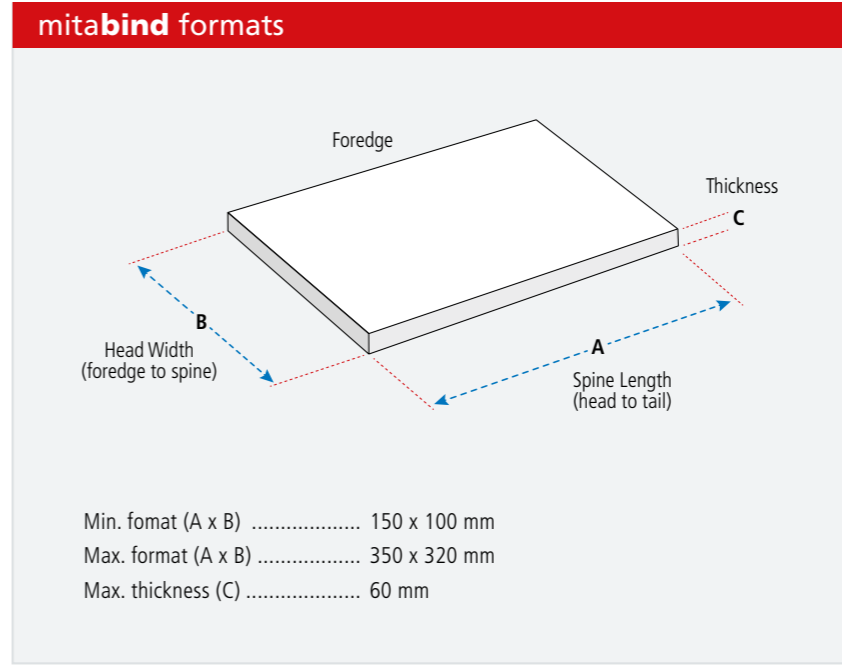
Infeed station



Backlining station



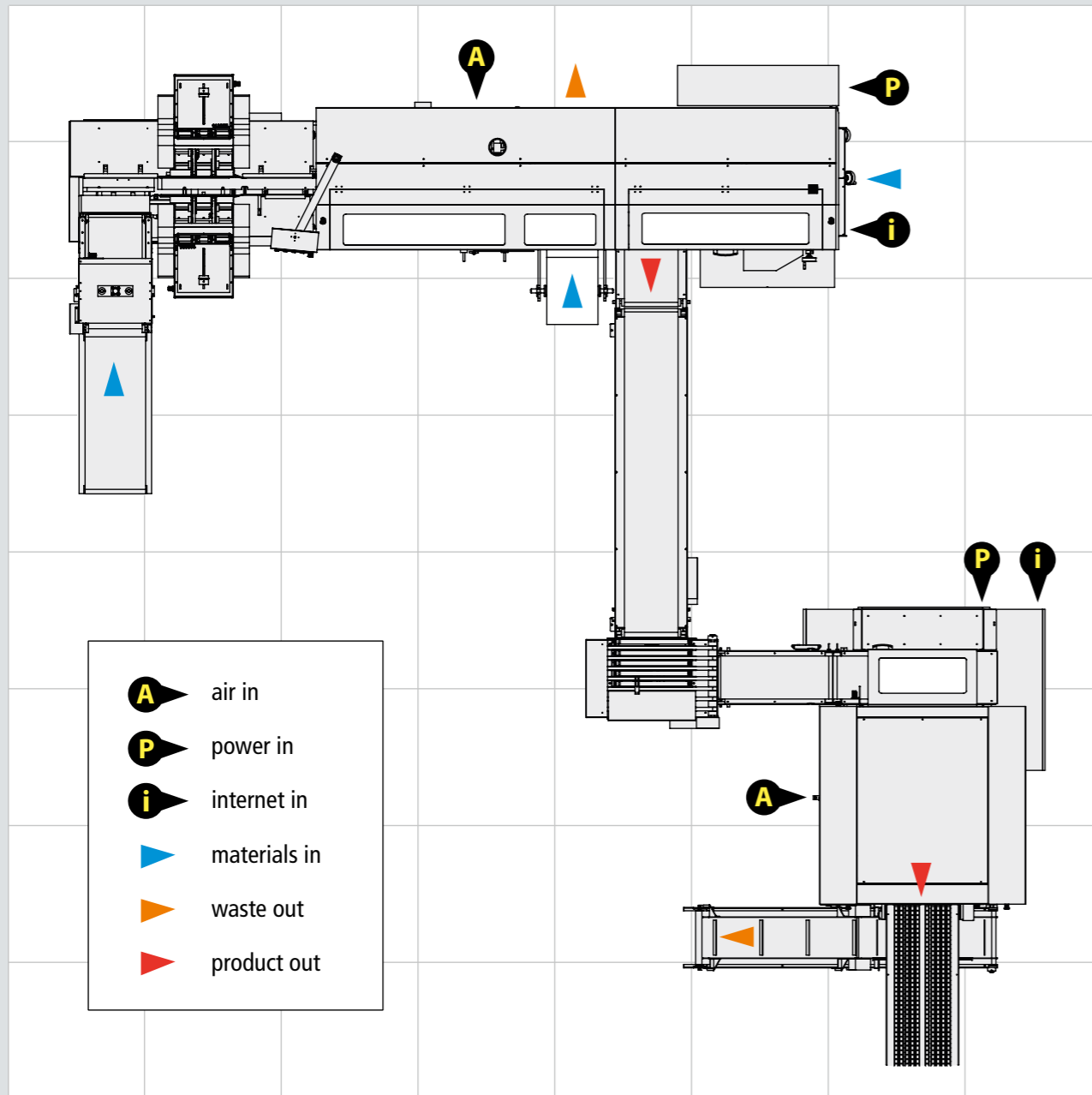
Endsheet feeder



Scoring unit

mitabind & mitatrim PRO

1 m



This sample floorplan shows the mitabind single-clamp binder in-line with the mitatrim PRO 3-knife trimmer.

Technical specifications

mitabind	
Production speed	6 cycles/min*
Clamps	Number: 1
Block formats (Width x Height x Thickness)	Width 100 - 320 mm Height 150 - 350 mm Thickness 3 - 60 mm
Paper grammature	60 - 170 g/m ²
Cover formats (Width x Height)	Width 205 - 700 mm Height 150 - 380 mm
Cover grammature	100 - 300 g/m ²
Cover feeder	Pile height: max 50 mm Creasing: double or quadruple
Spine preparation	Milling depth: 0 - 4 mm
Electrics	EVA Hotmelt 12 KW, 400V, 3 PNE, 50 Hz
Air consumption	1'800 NI/min. (6 bar)
Floor space (standard)	5,80 m x 1,81 m (H 1,32 m)
Weight	approx. 1'800 kg (standard) approx. 3'000 kg (with endpaper and backlining)

* The net output depends on size, depth of milling and time of pressing.

mitatrim PRO	
Production speed	up to 800 cycles/h
Book size untrimmed	Width 110 - 330 mm Height 160 - 390 mm
Book size trimmed	Width 100 - 320 mm Height 150 - 380 mm
Book thickness	3 - 60 mm
Electrics	12 Kw, 400 V, 3 PNE, 50 Hz
Air consumption	1'800 NI/min. (6 bar)
Floor space	1,89 m x 2,30 m
Weight	approx. 3'000 kg

Technical specifications subject to change without notice

Digibook Technology Sagl

Via Angelo Maspoli 21

CH - 6850 Mendrisio · Switzerland

T +41 91 6467930 · F +41 91 9932250

info@digibook.tech · www.digibook.tech

Digibook Technology USA, Inc.

7905 North Route 130

Pennsauken, NJ 08110, USA

T +1 (888) 5045405

info@digibook.tech · www.digibook.tech