

Ref. PCD9

AGILITY TRAIL 9



USERS

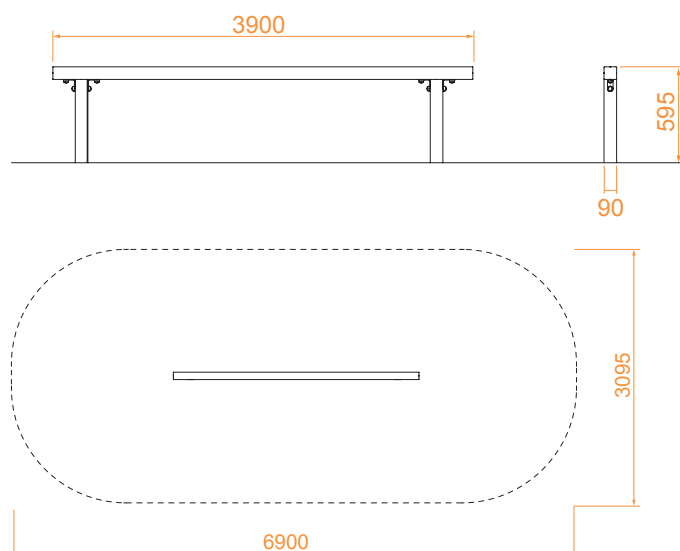


+12 years



19,7m²

Measurements expressed in millimeters



FEATURES

- WOOD** Laminated pine, certified by PEFC and FSC according to Standard EN351/EN335. Strength class GL24 (risk factor IV). In changing weather conditions, small cracks may appear in the wood that do NOT affect its durability. This wood does not bend or warp. The knots and resin are natural.
- PLASTIC** Polyethylene, polypropylene, polyamide. HDPE uniform color, weather-, bacteria- and fungi-resistant. Its elastic capacity enables it to serve as a shock absorber, making it very difficult to break. Non-toxic, they comply with EN 71, part 3.
- METAL** AISI-304 stainless steel, hot-galvanized steel and aluminum. Galvanized steel and baked-on paint, highly resistant to abrasion, corrosion, chemicals and stains, with excellent weather resistance.
- FASTENERS** Electro galvanized and stainless steel quality 8.8 DIN267, AISI-304.