



Ref. PCM16

MIXTO2



USERS

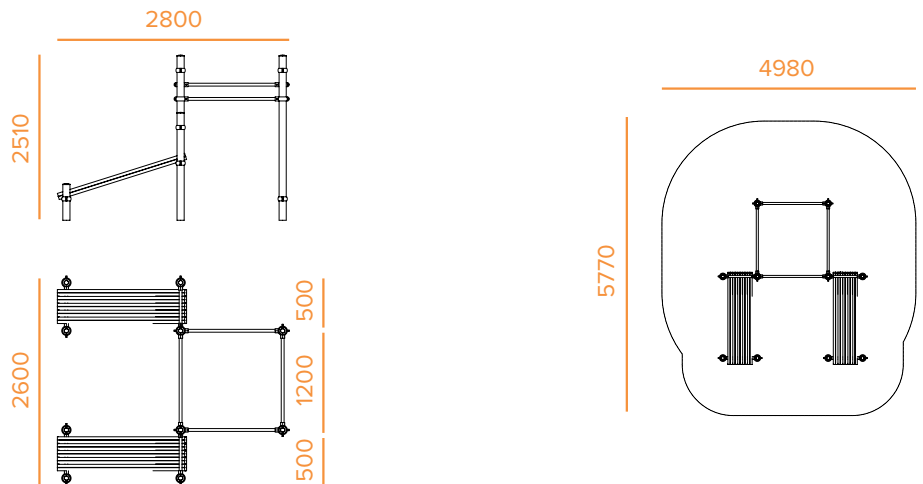


+12 years



28,73 m²

Measurements expressed in millimeters



FEATURES

METAL Galvanized and painted steel with high resistance to abrasion, corrosion, chemicals and stains, very resistant to the weather.

WOOD Laminated pine, certified by PEFC and FSC according to Standard EN351/EN335. Strength class GL24 (risk factor IV). In changing weather conditions, small cracks may appear in the wood that do NOT affect its durability. This wood does not bend or warp. The knots and resin are natural.

FASTENERS Electro galvanized and stainless steel quality 8.8 DIN267, AISI-304.

This combination develops biceps, triceps, back, neck, abdominals, chest and shoulders.