

Ref. PCM12

DOMINADAS X2



USERS

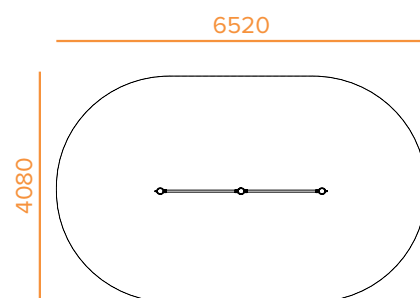
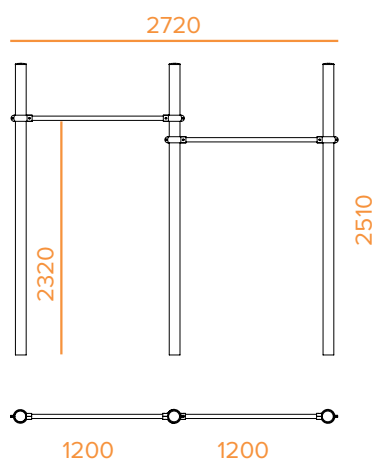


+12 years



26,60 m²

Measurements expressed in millimeters



FEATURES

METAL Galvanized and painted steel with high resistance to abrasion, corrosion, chemicals and stains, very resistant to the weather.

FASTENERS Electro galvanized and stainless steel quality 8.8 DIN267, AISI-304.

Develops biceps, triceps, back, chest and shoulders.