



Ref. PNC5

RIBER



USERS



+3 years



0,6m



21m²

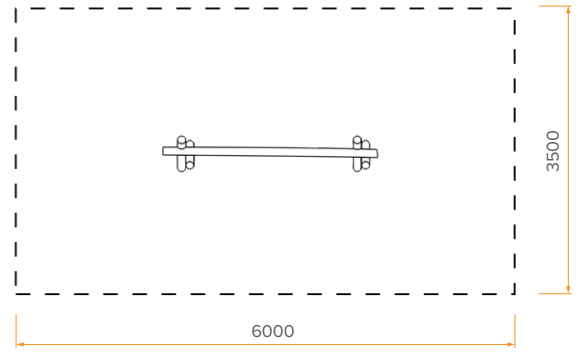
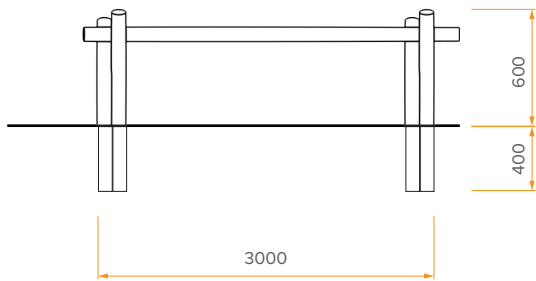


TO BALANCE

FEATURES

- WOOD** Robinia wood. High quality and durability wood, appreciated for its natural character.
- METAL** AISI-304 stainless steel.
- FASTENERS** Electro galvanized and AISI-304 stainless steel.
- ROPES** Armed rope composed of steel core and covered with polypropylene filaments.

Measurements expressed in millimeters



$$S = 21\text{m}^2$$

**Installation available only for soft ground*

