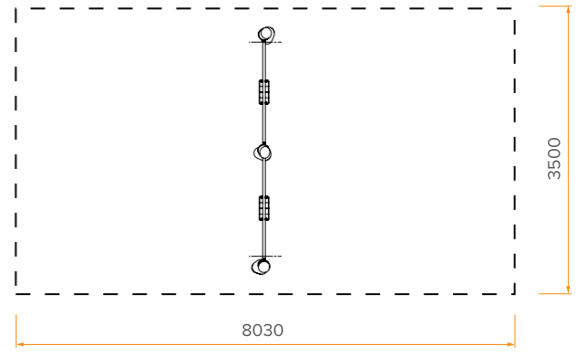
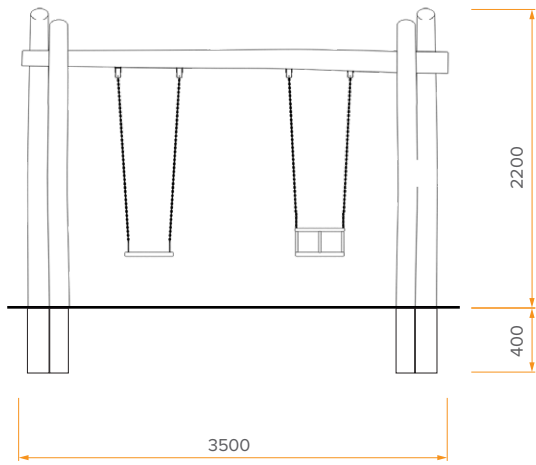


Measurements expressed in millimeters



S = 28m²

**Installation available only for soft ground*

