



## Features:

- 3Ø-4 Wire, 1Ø-2 Wire
- LED Indication: Power ON, LED bargraph Indication for % of Leakage
- DIN Rail Mounting

Size: 35mm DIN Rail

## Technical Specifications

### Input Specifications

Accuracy (Trip Current)	± 5% of Trip Setting (30, 100, 300, 500mA, 1, 3, 5, 10, 20, 30A)
Accuracy (Trip Time Delay)	± 5 % of Set Time + Response Time
Reset	Below 85% of tripped level & in the presence of CBCT by : a) Front reset b) Remote reset c) On power interruption
Test	Front & Remote

### Output Specifications

<b>Output Contact</b>	
Trip Relay	1 SPDT: NO (5A @ 250V AC) NC (3A @ 250V AC)

### Functional Specifications

Leakage Current	via CBCT (to be ordered separately) 30, 100, 300, 500 mA, 1, 3, 5, 10, 20, 30 A
Power ON Delay	Approx. 1 sec
Trip Time Delay	0 to 9 seconds (adjustable)
Response Time	<100ms
CBCT Ratio	1200 : 1
CBCT Detection	At every 3sec. if leakage current <5mA

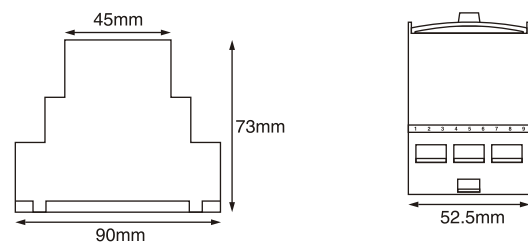
### Supply Voltage

Supply Voltage	230V AC (50 / 60Hz) ±15%
Power Consumption	3VA max

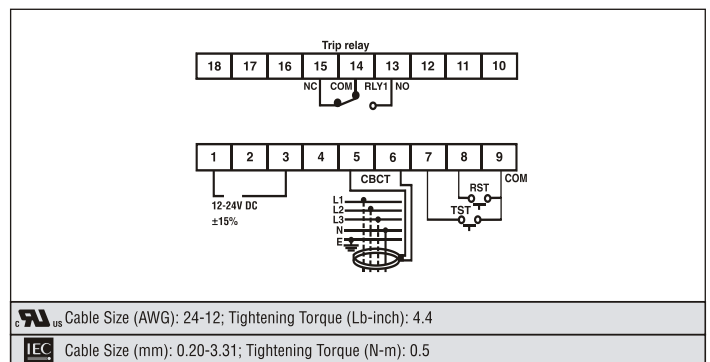
### Environmental Specifications

Temperature	Operating: 0 to 50°C (32 to 122°F) Storage: 0 to 70°C (32 to 158°F)
Humidity (non-condensing)	Upto 95% RH
Weight	190 g

### Dimensions



### Terminal Connections



us Cable Size (AWG): 24-12; Tightening Torque (Lb-inch): 4.4

IEC Cable Size (mm): 0.20-3.31; Tightening Torque (N-m): 0.5

## Ordering Information

Part No.	Supply Voltage
ELR600-3-230V	230V AC

### Accessories (CBCT)

CBCT-35	35mm Inner Diameter
CBCT-70	70mm Inner Diameter
CBCT-120	120mm Inner Diameter