



Features:

- ON Delay / Interval
- 12 Time Ranges
- Universal Supply Voltage
- LED Status Indicator: Power ON, Relay ON
- DIN Rail / Back Panel Mount
- Finger Safe Terminals

Size: DIN 22.5mm

Certifications:  

Technical Specifications

Input Specifications

Accuracy	Setting: $\pm 5\%$ of F.S. Repeat: $\pm 0.5\%$ or 50 msec (F.S. = Full Scale)
Reset	On interruption of power; Reset time < 100 msec

Output Specifications

Output Contact	DPDT (2 C/O)
Contact Rating	5A @ 230V AC / 24V DC resistive

Functional Specifications

Modes	ON delay / Interval
Time Ranges	0 - 1 sec / min / hr 0 - 3 sec / min / hr 0 - 10 sec / min / hr 0 - 30 sec / min / hr

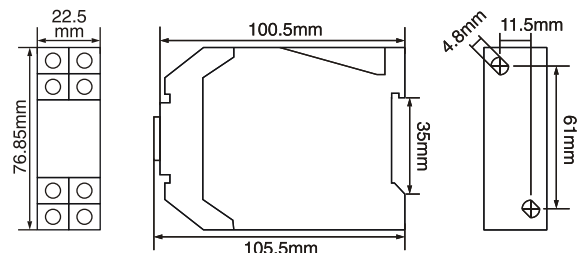
Supply Voltage

Supply Voltage	20 to 240V AC (50 / 60Hz) 12 to 240V DC
Power Consumption	2VA max

Environmental Specifications

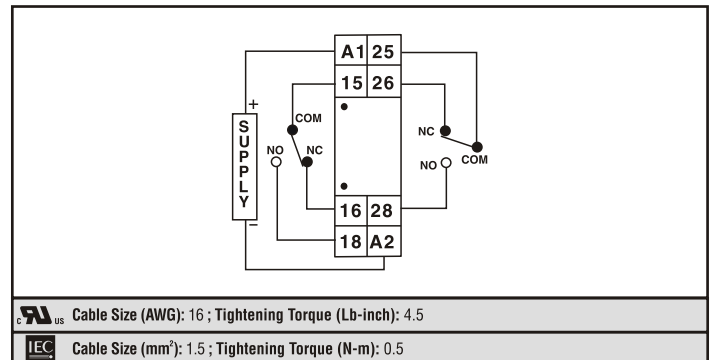
Temperature	Operating: 0 to 50°C (32 to 122°F) Storage: -20 to 75°C (-4 to 167°F)
Humidity (non-condensing)	95% RH
Weight	100 gms (0.220 lbs)
Protection Level	IP50 for faceplate IP40 for housing IP20 for terminals

Dimensions





Symmetrical 35mm Din Rail (EN50022) Mounting

Terminal Connections



Ordering Information

This product is available in certified (UL and CE) as well as in non-certified (without UL/CE marking) types. Please order as per the requirement.

Part No.	Supply Voltage	Certification
800XU	20 to 240V AC 12 to 240V DC	
800XU-CU	20 to 240V AC 12 to 240V DC	 

Timing Diagram

