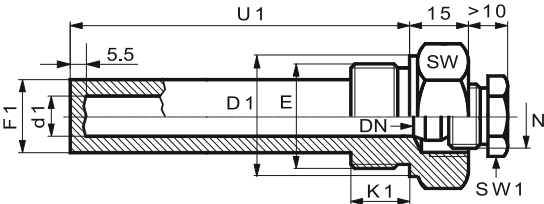
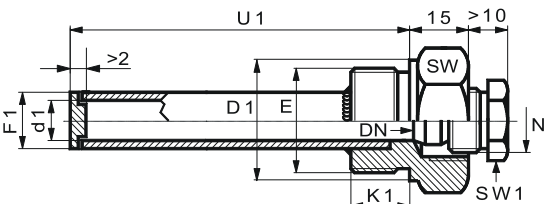


**Threaded Gland-type Thermowell YPTG**

GLAND-TYPE THERMOWELL YPTGx Sheath - stainless steel (see Appendix - Sheath materials) Ferrule - stainless steel, brass, or Teflon®	DIMENSIONS *							
	E	SW	D1 [mm]	K1 [mm]	d1 [mm]	F1 [mm]	N	SW1
<b>BORED DESIGN (B)</b>  <b>Maximum pressure: 100 bar</b> <b>Manufactured from solid HEX or round bar</b>	M20x1.5; G1/2"	27	26	15	4 / 5 / 6 / 7 / 9	17	N and SW1 are specified by the manufacturer	
	1/2" NPT		-	≈ 20				
	M27x2; G3/4"	32	31	16	11 / 13	19		
	3/4" NPT		-	≈ 21				
	M33x2; G1"	36	35	17				
1" NPT	-		≈ 25					
<b>WELDED DESIGN (W)</b>  <b>Maximum pressure: 25 bar</b>	M16x1.5; G3/8"	22	21	13	6, 7, 8, 9	8, 10, 12	N and SW1 are specified by the manufacturer	
	3/8" NPT		-	15				
	M18x1.5	24	23	13	6, 7, 8, 9, 10, 11	8, 10, 12, 14		
	M20x1.5; G1/2"	27	26	15	6, 7, 8, 9, 10, 11, 12, 13	8, 10, 12, 14, 16		
	1/2" NPT		-	≈ 20				
	M27x2; G3/4"	32	31	16	6, 7, 8, 9, 10, 11, 12, 13, 16	8, 10, 12, 14, 16, 20		
	3/4" NPT		-	≈ 21				
M33x2; G1"	36	35	17					
1" NPT		-	≈ 25					
<b>Probe diameter:</b> d = DN ≤ d1 - 1 <b>Free probe length:</b> n ≥ U1+30 <b>Maximum temperature:</b> dependant on ferrule material * Other dimensions are available on request. Please contact COMECO!								

**Ordering code** YPTG\* - G4.G6.G9'G9".G10

Code	Feature or option	Code values
*	Design	<b>B</b> - bored, <b>W</b> - welded
<b>G4</b>	Probe diameter 'd' [mm]	<b>3, 4, 4.5, 5, 6, 8, 10, 12</b>
<b>G6</b>	Length 'U1' [mm]	<b>30...500</b> (see table above)
<b>G9'</b>	Connection thread 'E' <sup>(1)</sup>	<b>X</b> - none <sup>(2)</sup> , <b>Q0</b> - M16x1.5, <b>Q1</b> - M18x1.5, <b>Q2</b> - M20x1.5, <b>Q3</b> - G3/8", <b>Q4</b> - G1/2", <b>Q5</b> - M27x2, <b>Q6</b> - G3/4", <b>Q9</b> - 3/8" NPT, <b>Q10</b> - 1/2" NPT, <b>Q11</b> - 3/4" NPT, <b>Q12</b> - G1", <b>Q15</b> - 1" NPT, <b>Q25</b> - M33x2, <b>Z</b> - other (specify!)
<b>G9"</b>	Compression fitting ferrule	<b>TF</b> - Teflon® (up to 200 °C), <b>BR</b> - brass (up to 400 °C), <b>SS</b> - stainless steel (up to 800 °C)
<b>G10</b>	Sheath material	<b>M1</b> - 1.4301, <b>M2</b> - 1.4541 <sup>(2)</sup> , <b>M3</b> - 1.4571 <sup>(2)</sup> , <b>M9</b> - 1.4404 or 1.4435, <b>Z</b> - other (specify!) <sup>(2)</sup>

<sup>(1)</sup> Applicable for the selected probe diameter

<sup>(2)</sup> Contact COMECO!