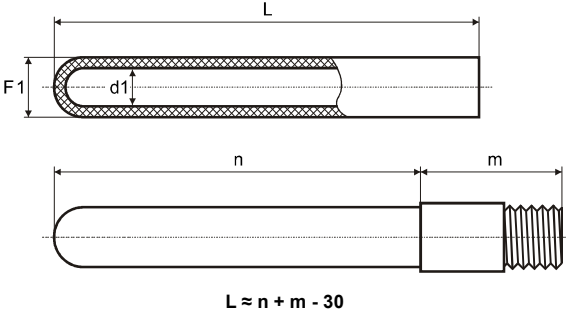
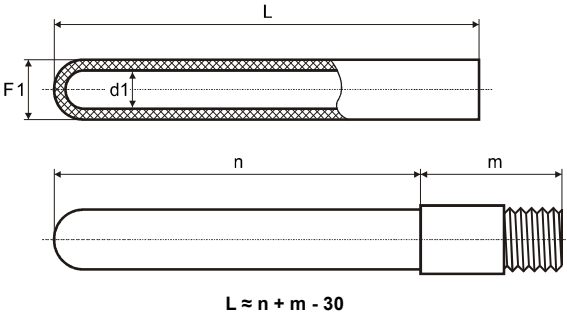
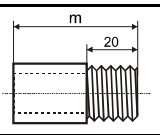
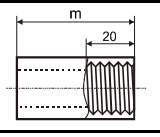
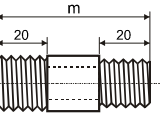


Ceramic Protection Tubes YAC

CERAMIC PROTECTION TUBE Material - alumina ceramics (see Appendix - Sheath materials) Application - T/C protection in gaseous chemical media	YAC	MATERIAL	Maximum Temperature	DIMENSIONS *					
				F1 [mm]	d1 [mm]	Fitting Type	L [mm]		
CERAMIC PROTECTION TUBE (C2) 	C 710	1600 °C	6	4.5	1, 5, 9	100÷1000			
			8	6	1, 5, 9				
			10	7	1, 5, 9				
			15	10	1, 5, 9	100÷2000			
			18	12	2, 5, 10				
			20	15	2, 6, 10				
			24	17	3, 6, 11				
			32	24	4, 7, 12				
							PROPERTIES		
			Chemical Composition		≥ 95% Al ₂ O ₃				
Flexural Strength		280 MPa							
Thermal Shock Resist		good							
Thermal Conductivity		20 W/m.K							
Thermal Expansion		8.10 ⁻⁶ K ⁻¹ (0-1000 °C)							
Porosity		0 %							
Electrical Resistivity		> 10 ¹² Ω.m (25°C)							
CERAMIC PROTECTION TUBE (C3) 	C 799	1700 °C	6	4.5	1, 5, 9	100÷1000			
			8	6	1, 5, 9				
			10	7	1, 5, 9				
			15	10	1, 5, 9	100÷2000			
			18	12	2, 5, 10				
			20	15	2, 6, 10				
			24	17	3, 6, 11				
			32	24	4, 7, 12				
							PROPERTIES		
			Chemical Composition		> 99.7% Al ₂ O ₃				
Flexural Strength		360 MPa							
Thermal Shock Resist		good							
Thermal Conductivity		28 W/m.K							
Thermal Expansion		9.10 ⁻⁶ K ⁻¹ (0-1200°C)							
Porosity		0 %							
Electrical Resistivity		> 10 ¹² Ω.m (25°C)							
* Other dimensions are available on request. Please contact COMECO!									

FITTING	Length 'm' [mm]	Material	TYPE	CONNECTION
	80 or 150 ⁽¹⁾	stainless steel	1	1/2"
			2	3/4"
			3	1"
			4	1 1/4"
	80 or 150 ⁽¹⁾	stainless steel	5	1/2"
			6	3/4"
			7	1"
			8	1 1/4"
	80 or 150 ⁽¹⁾	stainless steel	9	1/2" x 1/2"
			10	3/4" x 1/2"
			11	1" x 3/4"
			12	1 1/4" x 3/4"

⁽¹⁾ For tube length L ≥ 1000 mm

Ordering code YAC - G10.G5.G6.G9'G9"

Code	Feature or option	Code values
G10	Sheath material ⁽²⁾	C2 - Alumina 95% (C 710), C3 - Alumina 99% (C 799)
G5	Outer diameter 'OD' [mm]	from tables overleaf
G6	Length 'L' [mm]	from tables overleaf
G9'	Fitting type	X - none, 1 - type 1, 2 - type 2, 3 - type 3, 4 - type 4, 5 - type 5, 6 - type 6, 7 - type 7, 8 - type 8, 9 - type 9, 10 - type 10, 11 - type 11, 12 - type 12, Z - other (specify!)
G9"	Fitting thread	G - parallel pipe threads, N - NPT threads, X - none *, Z - other (specify!)

⁽²⁾ Always ask for availability!

* contact COMECO!