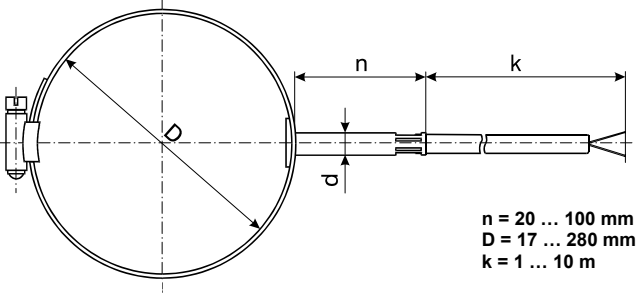
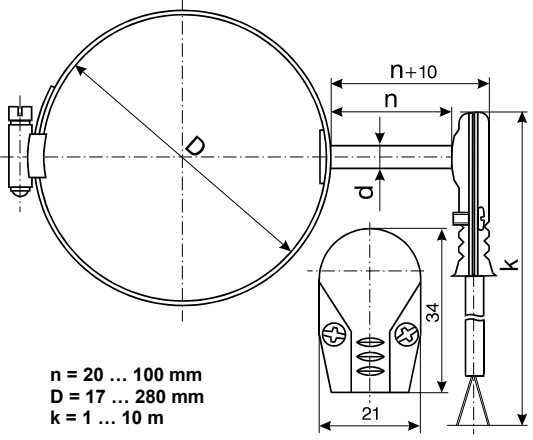


(MI**) CLAMP CABLE PROBE FOR PIPE-SURFACE MEASUREMENT Sheath - stainless steel (see table notes) Clamp - see table notes Cable - see table notes	TSTx	SENSITIVE ELEMENT	CABLE TYPE	TEMPERATURE RANGE	DIMENSIONS																																																																																																																																											
					d [mm]	wires																																																																																																																																										
STRAIGHT-TUBE DESIGN (TST)																																																																																																																																																
 <p>n = 20 ... 100 mm D = 17 ... 280 mm k = 1 ... 10 m</p>																																																																																																																																																
DESIGN WITH ANGLED TERMINATION (TSTL)																																																																																																																																																
 <p>n = 20 ... 100 mm D = 17 ... 280 mm k = 1 ... 10 m</p>																																																																																																																																																
<table border="1"> <thead> <tr> <th>Diameter 'D'</th> <th>Average pipe OD</th> </tr> </thead> <tbody> <tr><td>17...29 mm</td><td>22</td></tr> <tr><td>25...45 mm</td><td>35</td></tr> <tr><td>40...60 mm</td><td>50</td></tr> <tr><td>63...83 mm</td><td>73</td></tr> <tr><td>78...98 mm</td><td>88</td></tr> <tr><td>93...113 mm</td><td>103</td></tr> <tr><td>108...128 mm</td><td>118</td></tr> <tr><td>123...143 mm</td><td>133</td></tr> <tr><td>138...158 mm</td><td>148</td></tr> <tr><td>153...173 mm</td><td>163</td></tr> <tr><td>168...188 mm</td><td>178</td></tr> <tr><td>183...203 mm</td><td>193</td></tr> <tr><td>198...218 mm</td><td>208</td></tr> <tr><td>213...233 mm</td><td>223</td></tr> <tr><td>228...248 mm</td><td>238</td></tr> <tr><td>243...263 mm</td><td>253</td></tr> <tr><td>258...280 mm</td><td>269</td></tr> </tbody> </table>		Diameter 'D'	Average pipe OD	17...29 mm	22	25...45 mm	35	40...60 mm	50	63...83 mm	73	78...98 mm	88	93...113 mm	103	108...128 mm	118	123...143 mm	133	138...158 mm	148	153...173 mm	163	168...188 mm	178	183...203 mm	193	198...218 mm	208	213...233 mm	223	228...248 mm	238	243...263 mm	253	258...280 mm	269	<table border="1"> <thead> <tr> <th colspan="7" style="text-align: center;">RTD Design</th> </tr> </thead> <tbody> <tr> <td rowspan="2">1 x Pt (RB,RD,RF,RG)</td> <td rowspan="2">SLSL, TSL, YY, UU, YU</td> <td>T9</td> <td>-50...200 °C</td> <td rowspan="2">4.5**, 5</td> <td rowspan="2">2, 3*</td> <td rowspan="2"></td> </tr> <tr> <td>T1*</td> <td>-50...400 °C</td> </tr> <tr> <td rowspan="2">2 x Pt (RB,RD,RF,RG)</td> <td rowspan="2">GLGL, TT</td> <td>T7</td> <td>0...200 °C</td> <td rowspan="2">6</td> <td rowspan="2">2, 3, 4*</td> <td rowspan="2"></td> </tr> <tr> <td>T8</td> <td>0...400 °C</td> </tr> <tr> <td rowspan="2">1 x Cu (RH, RK)</td> <td rowspan="2">SLSL, TSL, YY, UU, YU</td> <td>T9</td> <td>-50...200 °C</td> <td rowspan="2">5*</td> <td rowspan="2">2, 3*</td> <td rowspan="2"></td> </tr> <tr> <td>T7</td> <td>0...200 °C</td> </tr> <tr> <td rowspan="2">2 x Cu (RH, RK)</td> <td rowspan="2">GLGL, TT</td> <td>T7</td> <td>0...200 °C</td> <td rowspan="2">6</td> <td rowspan="2">2x2</td> <td rowspan="2"></td> </tr> <tr> <td>T8</td> <td>0...400 °C</td> </tr> <tr> <td rowspan="2">1 x PTC (RP, RQ)</td> <td rowspan="2">SLSL, TSL, YY, UU, YU</td> <td>T12</td> <td>-50...100 °C</td> <td rowspan="2">6</td> <td rowspan="2">2, 3</td> <td rowspan="2"></td> </tr> <tr> <td>T19</td> <td>0...100 °C</td> </tr> <tr> <td colspan="7" style="text-align: center;">Regular Thermocouple Design</td> </tr> <tr> <td rowspan="2">1 x J, 1 x K, 1 x T</td> <td rowspan="2">SLSL, TSL, YY, UU, YU</td> <td>T9</td> <td>-50...200 °C</td> <td rowspan="2">5, 6</td> <td rowspan="2">2</td> <td rowspan="2"></td> </tr> <tr> <td>T1*</td> <td>-50...400 °C</td> </tr> <tr> <td rowspan="2"></td> <td rowspan="2">GLGL, TT</td> <td>T8</td> <td>0...400 °C</td> <td rowspan="2"></td> <td rowspan="2"></td> <td rowspan="2"></td> </tr> <tr> <td>T7</td> <td>0...200 °C</td> </tr> <tr> <td colspan="7" style="text-align: center;">MI Thermocouple Design **</td> </tr> <tr> <td rowspan="2">1 x N, 1 x E, 1 x T</td> <td rowspan="2">SLSL, TSL, YY, UU, YU</td> <td>T9</td> <td>-50...200 °C</td> <td rowspan="2">4.5, 6</td> <td rowspan="2">2</td> <td rowspan="2"></td> </tr> <tr> <td>T1*</td> <td>-50...400 °C</td> </tr> <tr> <td rowspan="2"></td> <td rowspan="2">GLGL, TT</td> <td>T8</td> <td>0...400 °C</td> <td rowspan="2"></td> <td rowspan="2"></td> <td rowspan="2"></td> </tr> <tr> <td>T7</td> <td>0...200 °C</td> </tr> </tbody> </table>					RTD Design							1 x Pt (RB,RD,RF,RG)	SLSL, TSL, YY, UU, YU	T9	-50...200 °C	4.5**, 5	2, 3*		T1*	-50...400 °C	2 x Pt (RB,RD,RF,RG)	GLGL, TT	T7	0...200 °C	6	2, 3, 4*		T8	0...400 °C	1 x Cu (RH, RK)	SLSL, TSL, YY, UU, YU	T9	-50...200 °C	5*	2, 3*		T7	0...200 °C	2 x Cu (RH, RK)	GLGL, TT	T7	0...200 °C	6	2x2		T8	0...400 °C	1 x PTC (RP, RQ)	SLSL, TSL, YY, UU, YU	T12	-50...100 °C	6	2, 3		T19	0...100 °C	Regular Thermocouple Design							1 x J, 1 x K, 1 x T	SLSL, TSL, YY, UU, YU	T9	-50...200 °C	5, 6	2		T1*	-50...400 °C		GLGL, TT	T8	0...400 °C				T7	0...200 °C	MI Thermocouple Design **							1 x N, 1 x E, 1 x T	SLSL, TSL, YY, UU, YU	T9	-50...200 °C	4.5, 6	2		T1*	-50...400 °C		GLGL, TT	T8	0...400 °C				T7	0...200 °C
Diameter 'D'	Average pipe OD																																																																																																																																															
17...29 mm	22																																																																																																																																															
25...45 mm	35																																																																																																																																															
40...60 mm	50																																																																																																																																															
63...83 mm	73																																																																																																																																															
78...98 mm	88																																																																																																																																															
93...113 mm	103																																																																																																																																															
108...128 mm	118																																																																																																																																															
123...143 mm	133																																																																																																																																															
138...158 mm	148																																																																																																																																															
153...173 mm	163																																																																																																																																															
168...188 mm	178																																																																																																																																															
183...203 mm	193																																																																																																																																															
198...218 mm	208																																																																																																																																															
213...233 mm	223																																																																																																																																															
228...248 mm	238																																																																																																																																															
243...263 mm	253																																																																																																																																															
258...280 mm	269																																																																																																																																															
RTD Design																																																																																																																																																
1 x Pt (RB,RD,RF,RG)	SLSL, TSL, YY, UU, YU	T9	-50...200 °C	4.5**, 5	2, 3*																																																																																																																																											
		T1*	-50...400 °C																																																																																																																																													
2 x Pt (RB,RD,RF,RG)	GLGL, TT	T7	0...200 °C	6	2, 3, 4*																																																																																																																																											
		T8	0...400 °C																																																																																																																																													
1 x Cu (RH, RK)	SLSL, TSL, YY, UU, YU	T9	-50...200 °C	5*	2, 3*																																																																																																																																											
		T7	0...200 °C																																																																																																																																													
2 x Cu (RH, RK)	GLGL, TT	T7	0...200 °C	6	2x2																																																																																																																																											
		T8	0...400 °C																																																																																																																																													
1 x PTC (RP, RQ)	SLSL, TSL, YY, UU, YU	T12	-50...100 °C	6	2, 3																																																																																																																																											
		T19	0...100 °C																																																																																																																																													
Regular Thermocouple Design																																																																																																																																																
1 x J, 1 x K, 1 x T	SLSL, TSL, YY, UU, YU	T9	-50...200 °C	5, 6	2																																																																																																																																											
		T1*	-50...400 °C																																																																																																																																													
	GLGL, TT	T8	0...400 °C																																																																																																																																													
		T7	0...200 °C																																																																																																																																													
MI Thermocouple Design **																																																																																																																																																
1 x N, 1 x E, 1 x T	SLSL, TSL, YY, UU, YU	T9	-50...200 °C	4.5, 6	2																																																																																																																																											
		T1*	-50...400 °C																																																																																																																																													
	GLGL, TT	T8	0...400 °C																																																																																																																																													
		T7	0...200 °C																																																																																																																																													
<p>Sheath material: 1.4301 (M1), 1.4541 (M2), 1.4571 (M3), 1.4404 (M9)</p> <p>Cable type: - GLGLP(V) (glass fiber w/ steel braid, max. 400 °C ambient temperature) - SLSL or TSL (silicone, max. 250 °C ambient temperature) - TT (Teflon®, max. 250 °C ambient temperature) - YY (PVC, max. 100 °C ambient temperature) - UU or YU (PUR, max. 80 °C ambient temperature)</p> <p>Tip shape: - RTD: standard - T/C: standard (isolated) or grounded (see Appendix - Tip Shapes)</p> <p>Accuracy class: - RTD: 'A', 'B', or '2xB' - T/C: '1' or '2' (see Appendix - RTD or T/C Tolerance)</p> <p>Cable connector: 4-pin (C3), 'T/C standard' (C5) or 'T/C miniature' (C6) (see Appendix - Connectors)</p> <p>Available clamp sizes:</p> <table border="1"> <thead> <tr> <th>Diameter 'D'</th> <th>Clamp width</th> </tr> </thead> <tbody> <tr> <td>17...113 mm</td> <td>8 mm or 14 mm</td> </tr> <tr> <td>108...280 mm</td> <td>14 mm</td> </tr> </tbody> </table> <p>- other on request</p>							Diameter 'D'	Clamp width	17...113 mm	8 mm or 14 mm	108...280 mm	14 mm																																																																																																																																				
Diameter 'D'	Clamp width																																																																																																																																															
17...113 mm	8 mm or 14 mm																																																																																																																																															
108...280 mm	14 mm																																																																																																																																															
<p>* Please contact COMECO!</p> <p>** Available only for TSTL!</p>																																																																																																																																																

COMECO reserves the right of changing specifications without prior notice!

Ordering code TST(L) - (MI -⁽¹⁾) G1G2.G3.G4.G5.G6.G8.G10.G11.G12.G14.G15 - #1

Code	Feature or option	Code values
G1	Number of sensors ⁽³⁾	1 or 2
G2	regular design	RB - Pt50, RD - Pt100, RF - Pt500, RG - Pt1000, RH - Cu50, RK - Cu100, RP - PTC 1k, RQ - PTC 2k, J - T/C type "J", K - T/C type "K", T - T/C type "T"
	MI design	RB - Pt50, RD - Pt100, RF - Pt500, RG - Pt1000, RH - Cu50, RK - Cu100, RP - PTC 1k, RQ - PTC 2k, E - T/C type "E", N - T/C type "N", T - T/C type "T"
G3	Temperature range	T1 - -50...400 °C, T7 - 0...200 °C, T8 - 0...400 °C, T9 - -50...200 °C, T12 - 50...100 °C, T19 - 0...100 °C
G4	regular design	5, 6
	MI design	4.5, 6
G5	Clamp diameter 'D' (average pipe OD)	22 - 17...29 mm, 35 - 25...45 mm, 50 - 40...60 mm, 73 - 63...83 mm, 88 - 78...98 mm, 103 - 93...113 mm, 118 - 108...128 mm, 133 - 123...143 mm, 148 - 138...158 mm, 163 - 153...173 mm, 178 - 168...188 mm, 193 - 183...203 mm, 208 - 198...218 mm, 223 - 213...233 mm, 238 - 228...248 mm, 253 - 243...263 mm, 269 - 258...280 mm, Z - other on request (specify average pipe OD) ⁽⁶⁾
G6	Probe length 'n' [mm]	20...100
G8	Cable length 'k' [m] and type	1GL...10GL - glass fiber, 1SL...10SL - silicone, 1TF...10TF - Teflon®, 1PU...10PU - polyurethane ⁽⁶⁾ , 1PV...10PV - PVC
G10	Sheath material (wetted parts)	M1 - 1.4301, M2 - 1.4541, M3 - 1.4571, M9 - 1.4404
G11	RTD	X - none ⁽²⁾ , A - 'A', B - 'B', C - '2xB'
	T/C	1 - '1' ⁽⁶⁾ , 2 - '2'
G12	Number of wires ⁽³⁾	2, 3, 4 ⁽⁶⁾
G14	Tip shape (hot junction) ⁽⁴⁾	X - standard (isolated from sheath), G - grounded
G15	Connector	X - none, C3 - 4-pin male plug-in connector ø8 (for H5700 thermometer only), C5 - T/C connector, C6 - miniature T/C connector
#1	Options	X - none, OV - vibration proof (MgO or Silicone filled) ⁽⁶⁾ , OS - cable protection SS spring (≈ 50 mm), OB - braid termination lead (only w/o connector), OP - electrochemically polished sheath surface ⁽⁶⁾

⁽¹⁾ Available only for TSTL!

⁽²⁾ For non-Pt sensors

⁽³⁾ Only for RTD sensors!

⁽⁴⁾ Only for thermocouples!

⁽⁵⁾ Only for non-MI (regular) design!

⁽⁶⁾ Contact COMECO!