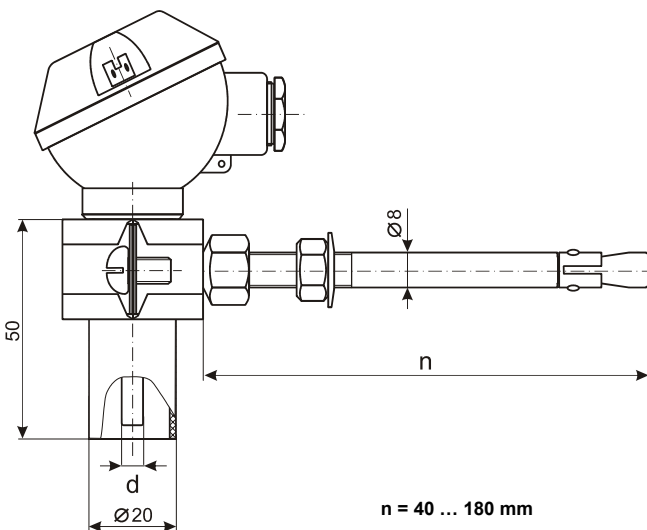


OUTDOOR RTD PROBE WITH ANCHOR BOLT TSCA Sheath - stainless steel (see Appendix - Sheath materials) Head - aluminum (see Appendix - Protection heads)	SENSITIVE ELEMENT	TEMPERATURE RANGE	DIMENSIONS	
			d [mm]	wires
 <p>n = 40 ... 180 mm</p>	1 x Pt (RB,RD,RF,RG)	T12 -50...100 °C	4	2
	2 x Pt (RB,RD,RF,RG)	T12 -50...100 °C	5	2, 3*
	1 x Cu (RH, RK)	T12 -50...100 °C	6	2, 3, 4*
	2 x Cu (RH)	T12 -50...100 °C	6	2x2
	1 x PTC (RP, RQ)	T12 -50...100 °C	5, 6	2, 3
			6	2x2
<p>Protection head: MA, MB (see Appendix - Protection Heads)</p> <p>Mounting accessories: Zn-plated anchor bolt (Ø8) w/ rubber sealed clamp (Ø20)</p> <p>Tip shape: standard, narrowed, pitted (see Appendix - Tip Shapes)</p> <p>Sheath material: 1.4301 (M1), 1.4541 (M2), 1.4571 (M3), 1.4404 (M9)</p> <p>Filling: silicone grease (except pitted version)</p> <p>Protection tube: PVC, Ø20x2</p> <p>Accuracy class: 'A', 'B', or '2xB' (see Appendix - RTD Tolerance)</p> <p>* Please contact COMECO!</p>				

Ordering code TSCA - G0.G1G2.G4.G6.G10.G11.G12.G14

Code	Feature or option	Code values
G0	Protection head	MA - type "MA", MB - type "MB"
G1	Number of RTD sensors	1 or 2
G2	Sensor	RB - Pt50, RD - Pt100, RF - Pt500, RG - Pt1000, RH - Cu50, RK - Cu100, RP - PTC 1k, RQ - PTC 2k
G4	Diameter 'd' [mm]	4, 5, 6
G6	Anchor bolt length 'n' [mm]	40...180 (step 10 mm)
G10	Sheath material	M1 - 1.4301, M2 - 1.4541, M3 - 1.4571, M9 - 1.4404
G11	Accuracy class ⁽¹⁾	A - 'A', B - 'B', C - '2xB'
G12	Number of wires	2, 3, 4 ⁽²⁾
G14	Tip shape	X - standard closed, N - narrowed, P - pitted

⁽¹⁾ Only for Pt sensors!

⁽²⁾ Contact COMECO!

COMECO reserves the right of changing specifications without prior notice!