

**15 kW**

**EcoGen™**

**Variable Speed Residential Standby Generator  
Air-Cooled Gas Engine**

**INCLUDES:**

- G-Flex™ Variable Speed Technology
- Designed specifically for use with alternative energy and storage solutions
- Two Line LCD Multilingual Digital Evolution™ Controller (English/Spanish/French/Portuguese)
- Electronic Governor
- System Status & Maintenance Interval LED Indicators
- Sound Attenuated Enclosure
- Flexible Fuel Line Connector
- Direct-To-Dirt Composite Mounting Pad
- Natural Gas or LP Gas Operation
- Base Fascia
- 3 Year / 2000 Hour Limited Warranty
- Capability to be installed within 18" (457 mm) of a building\*

Standby Power Rating  
Model G007034-0 (Aluminum - Bisque) - 15 kW 60 Hz



\*Built in the USA using domestic and foreign parts



**Not for sale in California**

\*Only if located away from doors, windows and fresh air intakes, and unless otherwise directed by local codes.

**FEATURES**

- **INNOVATIVE ENGINE DESIGN & RIGOROUS TESTING** are at the heart of Generac's success in providing the most reliable generators possible. Generac's G-Force™ engine lineup offers added peace of mind and reliability for when you need it the most. The G-Force series engines are purpose built and designed to handle the rigors of extended run times in high temperatures and extreme operating conditions.
- **G-FLEX VARIABLE SPEED TECHNOLOGY:** By utilizing patented variable speed technology, the generator is capable of running at various RPMs depending on the electrical demand, resulting in quieter operation, better fuel economy and produce power at <1.5% total harmonic distortion for quality power.
- **EXTENDED RUN CAPABILITY:** This innovative oil circulation system extends the maintenance intervals by an unprecedented 5 times the industry standard by offering 500 hour maintenance intervals.
- **TEST CRITERIA:**
  - ✓ **PROTOTYPE TESTED**
  - ✓ **SYSTEM TORSIONAL TESTED**
  - ✓ **NEMA MG1-22 EVALUATION**
  - ✓ **MOTOR STARTING ABILITY**
- **SOLID-STATE, FREQUENCY COMPENSATED VOLTAGE REGULATION:** This state-of-the-art power maximizing regulation system is standard on all Generac models. It provides optimized FAST RESPONSE to changing load conditions and MAXIMUM MOTOR STARTING CAPABILITY by electronically torque-matching the surge loads to the engine. Digital voltage regulation at ±1%.
- **SINGLE SOURCE SERVICE RESPONSE** from Generac's extensive dealer network provides parts and service know-how for the entire unit, from the engine to the smallest electronic component.
- **PURPOSE BUILT FOR RENEWABLE ENERGY APPLICATIONS:** Designed specifically to interact with off-grid renewable energy applications, Generac introduces the first generator intended for alternative energy interaction. Capable of tying into an inverter and battery storage system to supplement the alternative energy source. This provides the cleanest running, low emission solution to recharging house batteries.

## 15 kW

## Engine

- Generac G-Force design Maximizes engine “breathing” for increased fuel efficiency. Plateau honed cylinder walls and plasma moly rings helps the engine run cooler, reducing oil consumption resulting in longer engine life.
- “Spiny-lok” cast iron cylinder walls Rigid construction and added durability provide long engine life.
- Electronic ignition/spark advance These features combine to assure smooth, quick starting every time.
- Oil circulatory system Extends maintenance intervals to 500 hours and virtually eliminates oil degradation.
- Full pressure lubrication system Pressurized lubrication to all vital bearings means better performance, less maintenance and longer engine life.
- Low oil pressure shutdown system Shutdown protection prevents catastrophic engine damage due to low oil.
- High temperature shutdown Prevents damage due to overheating.
- Optimized muffler and resonator Results in dramatically quieter operation during exercise and normal loads than constant speed systems.

## Generator

- Cylindrically wound rotor Allows for multi-phase excitation, enabling variable engine RPM resulting in fuel savings and sound reduction.
- Skewed stator Produces a smooth output waveform for compatibility with electronic equipment.
- Variable speed, constant frequency AVR Provides uncommonly clean power with less than 1.5% THD (Total Harmonic Distortion).
- Automatic voltage regulation Regulates the output voltage to  $\pm 1\%$  prevents damaging voltage spikes.
- UL 2200 listed For your safety.

## Evolution™ Controls

- Auto/Manual/Off illuminated buttons Selects the operating mode and provides easy, at-a-glance status indication in any condition.
- Sealed, raised buttons Smooth, weather-resistant user interface for programming and operations.
- 2-wire Start Interconnection Allows the generator to be started by a two wire signal.
- Smart battery charger Delivers charge to the battery only when needed at varying rates depending on outdoor air temperature. Compatible with lead acid and AGM-style batteries.
- Main line circuit breaker Protects generator from overload.
- Electronic governor Maintains constant 60 Hz frequency.

## Unit

- SAE weather protective enclosure Sound attenuated enclosures ensure quiet operation and protection against mother nature, withstanding winds up to 150 mph. Hinged key locking roof panel for security. Lift-out front for easy access to all routine maintenance items. Electrostatically applied textured epoxy paint for added durability.
- Enclosed critical grade muffler Quiet, critical grade muffler is mounted inside the unit to prevent injuries.
- Small, compact, attractive Makes for an easy, eye appealing installation, as close as 18" away from a building.

## Installation System

- 1 ft (305 mm) flexible fuel line connector Absorbs any generator vibration when connected to rigid pipe.
- Direct-to-dirt composite mounting pad Complex lattice design prevents settling or sinking of the generator system.
- Integral sediment trap Prevents particles and moisture from entering the fuel regulator and engine, prolonging engine life.

# 15 kW

### Generator

|  |  |
|--|--|
| <b>Model</b>   | <b>G007034-0</b>   |
| Rated Maximum Continuous Power Capacity (LP)                                   | 15,000 Watts*  |
| Rated Maximum Continuous Power Capacity (NG)                                   | 15,000 Watts*  |
| Rated Voltage  | 240  |
| Rated Maximum Continuous Load Current – 240 Volts (LP/NG)                      | 62.5/62.5  |
| Total Harmonic Distortion  | Less than 2%   |
| Main Line Circuit Breaker  | 70 Amp   |
| Phase  | 1  |
| Number of Rotor Poles  | 2  |
| Rated AC Frequency   | 60 Hz  |
| Power Factor   | 1.0  |
| Battery Requirement (not included)   | 12 Volts, Group 26R 540 CCA Minimum or Group 35AGM 650 CCA Minimum |
| Unit Weight (lb/kg)  | 526/239  |
| Dimensions (L x W x H) in/mm   | 48 x 25 x 29/1218 x 638 x 732                                      |
| Sound output in dB(A) at 23 ft (7 m) with generator operating at normal load** | 63   |

### Engine

|  |                              |                    |
|--|------------------------------|--------------------|
| Type of Engine   | GENERAC G-FORCE 1000 SERIES  |                    |
| Number of Cylinders                                    | 2                            |                    |
| Displacement   | 999 cc                       |                    |
| Cylinder Block   | Aluminum w/ Cast Iron Sleeve |                    |
| Valve Arrangement                                      | Overhead Valve               |                    |
| Ignition System  | Solid-state w/ Magneto       |                    |
| Governor System  | Electronic                   |                    |
| Compression Ratio                                      | 9.5:1                        |                    |
| Starter  | 12 Vdc                       |                    |
| Oil Capacity Including Filter                          | Approx. 3.75 qt/3.55 L       |                    |
| Operating rpm  | 2,700-3,600                  |                    |
| Fuel Consumption                                       |                              |                    |
| Natural Gas - ft <sup>3</sup> /hr (m <sup>3</sup> /hr) | 1/2 Load                     | 193 (5.47)         |
|  | Full Load                    | 312 (8.83)         |
| Liquid Propane - ft <sup>3</sup> /hr (gal/hr) [l/hr]   | 1/2 Load                     | 69 (1.9) [7.2]     |
|  | Full Load                    | 116 (3.19) [12.07] |

Note: **Fuel pipe must be sized for full load.** Required fuel pressure to generator fuel inlet at all load ranges - 3.5-7" water column (7-13 mm mercury) for natural gas, 10-12" water column (19-22 mm mercury) for LP gas. For Btu content, multiply ft<sup>3</sup>/hr x 2500 (LP) or ft<sup>3</sup>/hr x 1000 (NG). For Megajoule content, multiply m<sup>3</sup>/hr x 93.15 (LP) or m<sup>3</sup>/hr x 37.26 (NG)

### Controls

|   |  |
|---|--|
| Two-Line Plain Text Multilingual LCD Display                            | Simple user interface for ease of operation.   |
| Mode Buttons:Auto   | Automatic Start on Utility failure.  |
| Manual  | Start with starter control, unit stays on. If utility fails, transfer to load takes place.     |
| Off   | Stops unit. Power is removed. Control and charger still operate.                               |
| Ready to Run/Maintenance Messages                                       | Standard   |
| Engine Run Hours Indication   | Standard   |
| Programmable start delay between 2-1500 seconds                         | Standard (programmable by dealer only)   |
| Utility Voltage Loss/Return to Utility Adjustable (Brownout Setting)    | From 140-171 V/190-216 V   |
| Future Set Capable Exerciser/Exercise Set Error Warning                 | Standard   |
| Run/Alarm/Maintenance Logs  | 50 Events Each   |
| Engine Start Sequence   | Cyclic cranking: Engine cranks a maximum of five times at factory set intervals and durations. |
| Starter Lock-out  | Starter cannot re-engage until 5 sec after engine has stopped.                                 |
| Smart Battery Charger   | Standard   |
| Charger Fault/Missing AC Warning  | Standard   |
| Low Battery/Battery Problem Protection and Battery Condition Indication | Standard   |
| Automatic Voltage Regulation with Over and Under Voltage Protection     | Standard   |
| Under-Frequency/Overload/Stepper Overcurrent Protection                 | Standard   |
| Safety Fused/Fuse Problem Protection                                    | Standard   |
| Automatic Low Oil Pressure/High Oil Temperature Shutdown                | Standard   |
| Overcrank/Overspeed (@ 72 Hz)/rpm Sense Loss Shutdown                   | Standard   |
| High Engine Temperature Shutdown  | Standard   |
| Internal Fault/Incorrect Wiring Protection                              | Standard   |
| Common External Fault Capability  | Standard   |
| Field Upgradable Firmware   | Standard   |

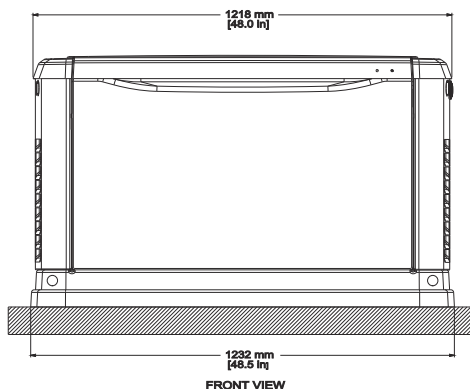
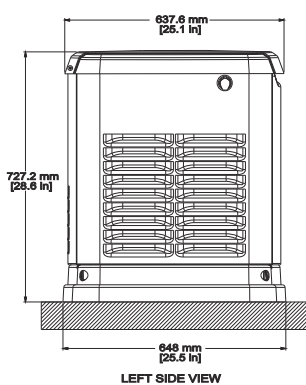
\*\*Sound levels are taken from the front of the generator. Sound levels taken from other sides of the generator may be higher depending on installation parameters. Rating definitions - Standby: Applicable for supplying emergency power for the duration of the utility power outage. No overload capability is available for this rating. (All ratings in accordance with BS5514, ISO3046 and DIN6271). \* Maximum kilovolt amps and current are subject to and limited by such factors as fuel Btu/megajoule content, ambient temperature, altitude, engine power and condition, etc. Maximum power decreases about 3.5 percent for each 1,000 feet (304.8 meters) above sea level; and also will decrease about 1 percent for each 6 °C (10 °F) above 16 °C (60 °F).

## 15 kW

| Model #   | Product                     | Description   |
|-----------|-----------------------------|---|
| G005819-0 | 26R Wet Cell Battery        | Every standby generator requires a battery to start the system. Generac offers the recommended 26R wet cell battery for use with all air-cooled standby product (excluding PowerPact®).   |
| G007005-0 | Wi-Fi LP Fuel Level Monitor | The Wi-Fi enabled LP fuel level monitor provides constant monitoring of the connected LP fuel tank. Monitoring the LP tank's fuel level is an important step in making sure your generator is ready to run during an unexpected power failure. Status alerts are available through a free application to notify when your LP tank is in need of a refill. |
| G007101-0 | Battery Pad Warmer          | The pad warmer rests under the battery. Recommended for use if the temperature regularly falls below 0°F. (Not necessary for use with AGM-style batteries).   |
| G007102-0 | Oil Warmer                  | Oil warmer slips directly over the oil filter. Recommended for use if the temperature regularly falls below 0°F.  |
| G005704-0 | Paint Kit                   | If the generator enclosure is scratched or damaged, it is important to touch-up the paint to protect from future corrosion. The paint kit includes the necessary paint to properly maintain or touch-up a generator enclosure.  |
| G006829-0 | Scheduled Maintenance Kit   | Generac's scheduled maintenance kits provide all the hardware necessary to perform complete routine maintenance on a Generac automatic standby generator.   |

## dimensions &amp; UPCs

Dimensions shown are approximate. Refer to installation manual for exact dimensions. DO NOT USE THESE DIMENSIONS FOR INSTALLATION PURPOSES.



| Model     | UPC          |
|-----------|--------------|
| G007034-0 | 696471070347 |