

CHASSIS

# C GLG 550 SP-3D

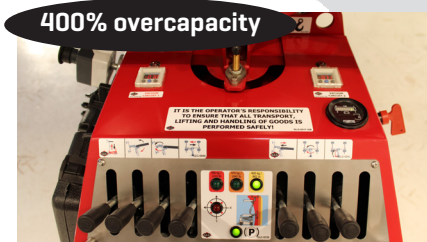
Powerful, versatile, parallel lifting work horse with telescopic arm and 3D head lifting 550kg/1213 lbs.



Foam filled no flat tires

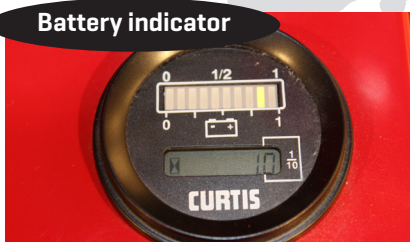


100% parallel lift



400% overcapacity

The most secure vacuum system with two separate 200% systems.



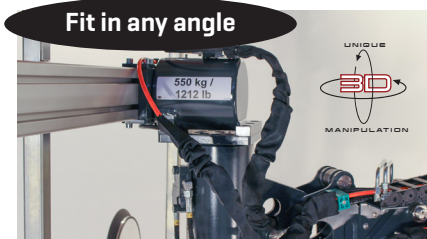
Battery indicator

Battery indicator and hour indicator for hours remaining before next service.



Unique powerful hydraulics

All automotive parts are operated by hydraulics only.



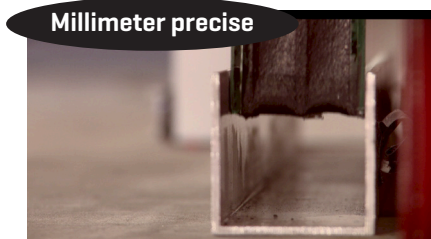
Fit in any angle

The unique 3D head allows you to manipulate the load in any angle you wish - more than 4 meters up.



Standard twin wheels

4 rugged tires are delivered as standard. Two can be dismantled if necessary.



Millimeter precise

The GLG all adaptable handlers are the most precise lifters in the world when combined with the extremely heavy loads.



We lift it up where it belongs!

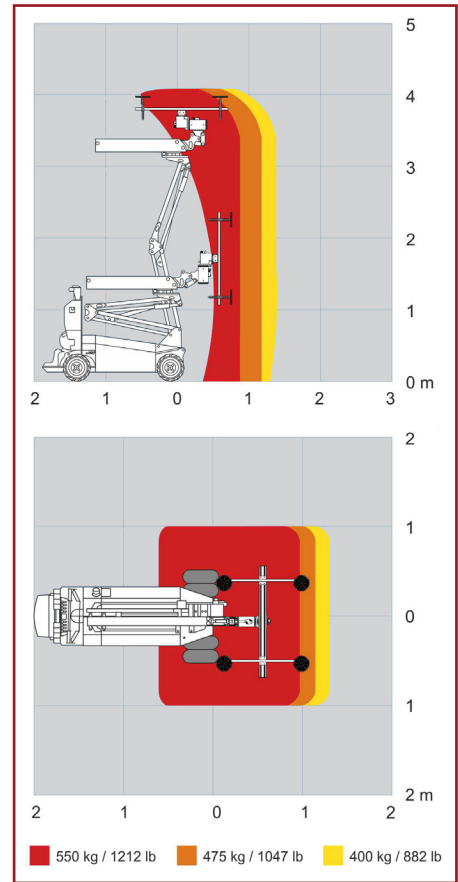
www.glgsales.com



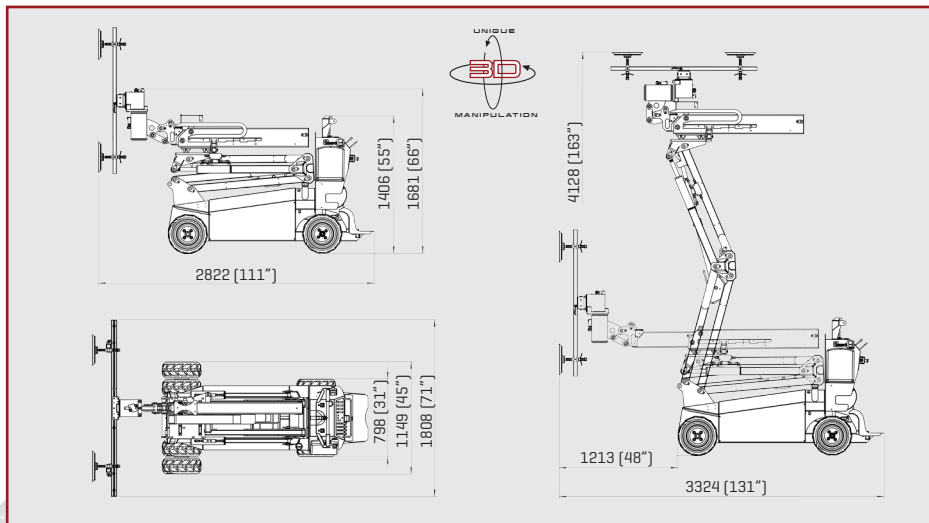
## Technical specifications

Description	EU	US	Description	EU	US
Loading capacity with counterweights	550 kg	1213 lb	Height	1406 mm	55"
Own weight incl. 20kg count. weights	1531 kg	3375 lb	Lifting height	3756 mm	148"
Axle load rear	714 kg	1574 lb	Lifting height horizont.	4128 mm	163"
Axle load front	817 kg	1801 lb	Telescopic range	500 mm	20"
Pressure rear wheels	8,90 kg/cm <sup>2</sup>	127 lb/in <sup>2</sup>	Sideshift	200 mm	8"
Pressure front wheels twin mount	8,45 kg/cm <sup>2</sup>	120 lb/in <sup>2</sup>	Wheels	Foam filled	
Width	796 mm	31"	Charging current	115 V / 230 V	
Width twin wheels	1163 mm	46"	Battery [std.]	24 V / 263AH (2x12V)	
Length	2335 mm	93"	Charging time 30% to 100% 230V 30% to 100% 115V	App. 7 hours App. 8 hours	

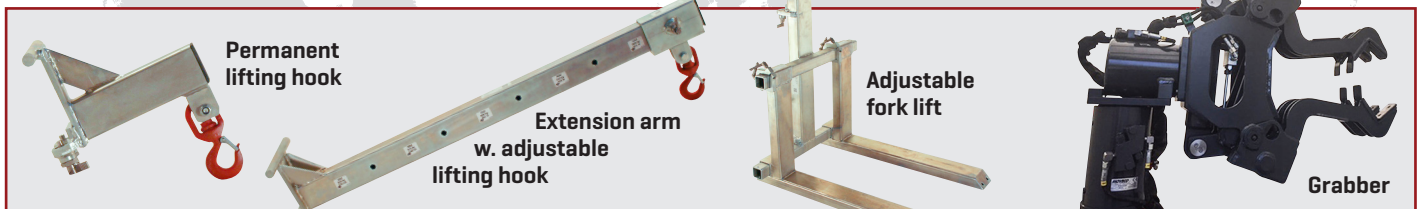
## Lifting diagramme



## Measurements



## Accessories



Specifications Our machines comply with the requirements of Machinery Directive 2006/42/EC, and are ASME B30.5, 5-1.1, 5-1.10 Compliant, ASME B30.20 Compliant, SAE-J1063 Compliant, and SAE-J765 Compliant.

Other standards met include:  
 DS/EN ISO 12100:2011 Safety of machinery – General principles for design.  
 DS/EN ISO 4413:2010 Hydraulic fluid power.  
 DS/EN 13155 + A2:2009 Cranes – Safety – Non-fixed load lifting attachment.

Much more information at [www.glgsales.com](http://www.glgsales.com)

**GLG Canada Ltd (North America)**  
 21332 Wilson Street, NOL 1E0  
 Delaware, Ontario, Canada  
 Phone: 1-855-779-3371

**European Head Office**  
 Soendergaarden 28  
 9640 Farsoe, Denmark  
 Phone: +45 75 72 72 15

[www.glgsales.com](http://www.glgsales.com)



**GLOBAL LIFT GROUP**