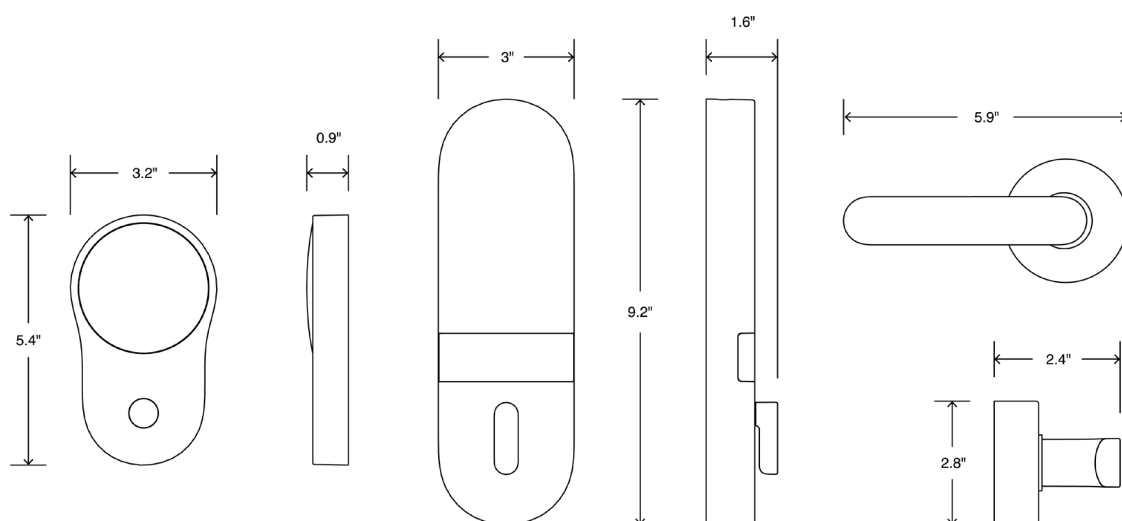


C Series

Specifications

Dimensions



Finishes

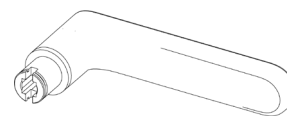


Silver

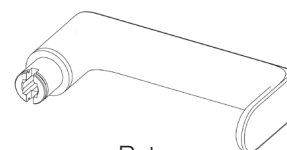


Black

Lever Styles



Standard



Return

Features

Credential Types	Smartphone, NFC Card, Doorcode, Mechanical Key
Users	200
Camera	135° image capture
Management	App and Cloud

Communication

Wireless Standards	Bluetooth Low Energy (BLE), Near Field Communication (NFC)
NFC Frequency	13.56 MHz
NFC Read Range	Up to 0.75"
NFC Type	MiFare Classic
Supported Smartphones	iOS and Android (see website for full list)
Interface	Mobile apps, touchpad, NFC, and web

Power

Power Supply	6 AA non-rechargeable alkaline batteries
Battery Status	Monitoring and notifications in Latch software suite

Environmental

Operating Temperature	Exterior: -30°C to 70°C, Interior: -20°C to 54°C, Camera: 0°C to 60°C
Operating Humidity	0–95% relative humidity, non-condensing

Certifications and Warranty

Certifications	UL 10C (90 min), FCC Part 15, IC RSS, built to ANSI 156.36 Grade 1
Compliance	Complies with American Disabilities Act
Warranty	1-year limited warranty on electronic components, 5-year limited warranty on mechanical components

Mechanical Specifications

Chassis	Deadbolt
Handing	Field reversible
Door Thickness Compatibility	1-3/4" and 1-3/8"
Backset Compatibility	2-3/4" and 2-3/8"
Door Preparation	5-1/2" Center to Center
Deadbolt Throw	1"
Faceplate Options	1" x 2-1/4" round corner, 1" x 2-1/4" square corner, drive-in
Strike Plate	1-1/8" x 2-3/4" security strike
Cylinder	Schlage Type C keyway standard, with custom and specific cylinders available on request