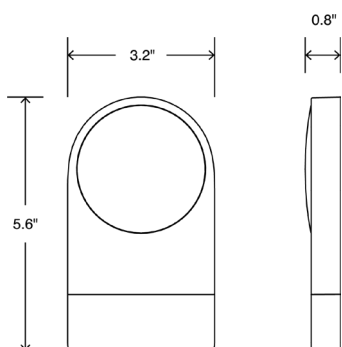


R Series

Specifications

Dimensions



Finishes

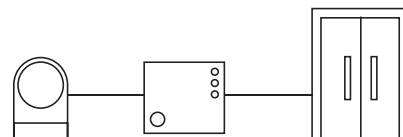


Black

Configuration



Standalone



Panel

Features

Credential Types	Smartphone, NFC Card, Doorcode
Users	5000
Camera	135° image capture
Integration	With existing access panels or standalone
Management	App and Cloud

Communication

Wireless Standards	Bluetooth Low Energy (BLE), Near Field Communication (NFC), WiFi in beta (802.11b/g)
Wired Standards	Ethernet, Serial, Wiegand (output only)
NFC Frequency	13.56 MHz
NFC Read Range	Up to 0.75"
NFC Type	MiFare Classic
Supported Smartphones	iOS and Android (see website for full list)
Interface	Mobile apps, touchpad, NFC, and web

Inputs, Outputs, and Power

Power Type	Class 2 isolated, UL listed DC power supply
Supply Voltage	12V DC to 24V DC
Relay	1.5A @ 24V DC or 16V AC max
Lock Relay	Configurable SPST/normally open relay
Inputs and Outputs	3 configurable inputs/outputs
Termination	10 conductor cable with pre-tinned leads

Environmental

Operating Temperature	Operating and Storage: -40°C to 66°C
Operating Humidity	0–93% relative humidity, non-condensing at 32°C
Environmental	IP65, IK04

Certifications and Warranty

Certifications	FCC Part 15 (US), IC RSS (Canada), UL294, UL/CSA 62368-1, RoHS
Warranty	1-year limited warranty on electronic components, 5-year limited warranty on mechanical components

Mechanical Specifications

Mounting Options	Surface mount, compatible with single-gang boxes
-------------------------	--