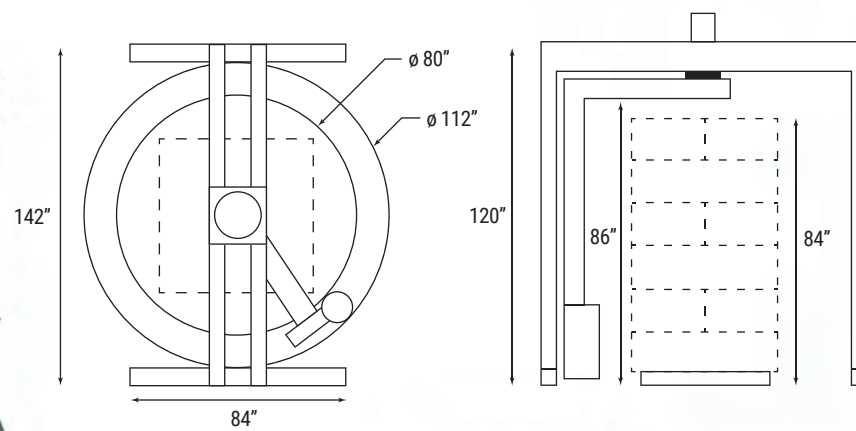


STW
SERIES

Conventional **semi-auto**
pallet wrappers



Model STWRTG's arm



General features

- ▶ Structural steel frame
- ▶ Forklift portable
- ▶ Very low maintenance
- ▶ Easy access to components
- ▶ 1/2 HP turntable drive motor
- ▶ Heavy duty turntable chain drive
- ▶ Maintenance free turntable support casters

The **most versatile** turntable stretch wrappers

5 good reasons to choose semi-auto stretch wrapper instead of hand wrap

- Pre-stretching the film provides a tighter wrap
- Reduce film usage by approximatively half
- Reduce employee fatigue and injury, increase productivity
- Wide variety of reliable stretch wrappers: low-profile or high-profile
- Tough wrapper built in North America with exceptional quality and after-sales services

Technical features

Low profile stretch wrappers

	STWLP Semi-automatic	STWLPX Semi-automatic
Control type	Full-featured semi-automatic	Full-featured semi-automatic
Turntable speed	Adjustable up to 14 RPM	Adjustable up to 16 RPM
Turntable size	59" diameter	59" diameter
Turntable height	3" from floor	3" from floor
Maximum load capacity	5,000 lbs	5,000 lbs
Maximum load height	86"	86"
Maximum load size	56" x 56"	56" x 56"
Pre-stretch carriage	E-Stretch	X-Stretch
Pre-stretch ratio	0 to 150%	250% standard
Electrical	115/1/60 - 15 amp	115/1/60 - 15 amp
Warranty	1-year limited	3-5 years
Tower height	85"	85"
Clearance required	90"	97"
Options	Loading ramps 30" film carriage Wrap height extension Frame extension for wider pallets Auto film cut	Loading ramps 30" film carriage Wrap height extension Frame extension for wider pallets Auto film cut



* Model STWLPX



* Model STWGAL
(Automatic stretch wrapper)

E-Stretch

- Used 20" machine film
- Adjustable to 18" hand wrap rolls
- Adjustable film force
- 0 to 150 % film streth
- Rugged and low maintenance UHMW carriage guide
- Quick and easy film replacement
- Ideal for pre-stretched film



X-Stretch

- Used 20" machine film
- Electronically adjustable film tension
- 250% film pre-stretch ratio, others available
- Maintenance-free ball beating carriage guide
- Automatic corner compensation
- Lifetime warranty on stretch rollers



Also available automatic pallet wrappers custom designed to your needs. Contact us for more details.

- ▶ Heavy duty conveyor
- ▶ Robust engineering
- ▶ 250% film pre-stretch
- ▶ Control panel

Other automatic stretch wrapper models :
STWRTX, STWRT, STWTTX, STWORB



* Model STWRTX
(Automatic stretch wrapper)

High profile stretch wrappers

	STWHP Semi-automatic	STWHPX Semi-automatic
Control type	Full-featured semi-automatic	Full-featured semi-automatic
Turntable speed	Adjustable up to 14 RPM	Adjustable up to 16 RPM
Turntable size	48" x 48" octagonal	48" x 48" octagonal
Turntable height	9" from floor	9" from floor
Maximum load capacity	5,000 lbs	5,000 lbs
Maximum load height	80"	80"
Maximum load size	56" x 56"	56" x 56"
Pre-stretch carriage	E-Stretch	X-Stretch
Pre-stretch ratio	0 to 150%	250% standard
Electrical	115/1/60 - 15 amp	115/1/60 - 15 amp
Warranty	1-year limited	3-5 years
Tower height	85"	85"
Clearance required	90"	97"
Options	30" film carriage Wrap height extension Frame extension for wider pallets Auto film cut	30" film carriage Wrap height extension Frame extension for wider pallets Auto film cut



* Model STWHPX