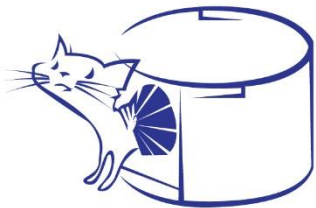


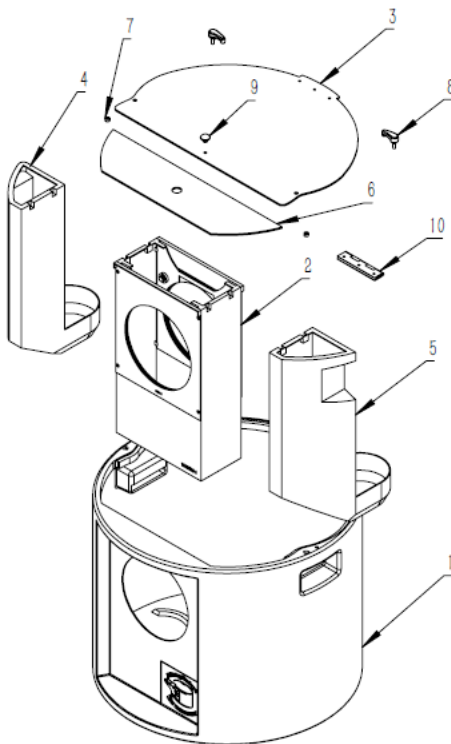
**KittySalon Groomer  
Instructional Manual**



**KittySalon® Groomer**

Handling your most annoying cat hair problems

Thank-you for purchasing our KittySalon Groomer. We know you're going to find our new groomer very effective in helping you to keep the cat hair out of your home. If you have any questions at all about our product, please send us an email at [support@kittysalongroomer.com](mailto:support@kittysalongroomer.com) or give us a call at (864) 453-0050. We're here to answer any questions you might have about our product!



Item NO.	Description	part Number	Mat'l Type	QTY
1	Enclosure Body	100352-1	PE	1
2	Center Disc Box Asm	100352-3A	PE	1
3	Lid	100352-5	PE	1
4	Water Dispenser	100352-6	PE	1
5	Food Dispenser	100352-7	PE	1
6	Dispenser Cover	100352-8	PE	1
7	M5 Nut	100352-9	Purchase Part	2
8	Lid Latch	100352-10	Purchase Part	2
9	Acrylic Lid Knob	100352-11	Purchase Part	1
10	Acrylic Lid Hinge	100352-12	Purchase Part	1

## KittySalon Groomer Instructional Manual



**Step 1 – Remove the Front Cover that covers the Food and Water Dispensers and lift the Lid up.**



**Step 2 – Remove the knob under the Lid and mount it on the top side of the Lid and the plastic film on the lid.**



**Step 3 – To remove the Food and Water Dispensers. Loosen the screw located on the inside of the Center Disc Box and then lift it straight up.**



**Step 4 – Lift the Food and Water Dispensers forward over the molded handles through the notch on the side of the Food and Water dispenser and then lift-up and remove.**



**Step 5 – To remove the front and back Groomer Cartridges, grab the finger groove on the Groomer Cartridge and pull it straight up and out of the Center Disc Box.**



**Step 6 – Pull the two halves of the Groomer Cartridges apart by separating it from the pins in each corner.**

## KittySalon Groomer Instructional Manual



**Step 7 – Rotate the two halves apart as shown in the photo.**



**Step 8 – Remove a Groomer Disc from the packet of discs included and insert it over the four pins in the four holes of the Groomer Disc.**



**Step 9 – Rotate the top half of the Groomer Cartridge over the Groomer Disc and snap it together over the four pins.**



**Step 10 – Insert the Groomer Cartridge back into the slot in the Center Disc Box and push it all the way down.**



**Step 11 – Make a fist and push your fist through the Groomer Disc a few times to loosen up the fibers a little. At this time just put in the front disc until your cat gets use to going into the KittySalon Groomer. (See the important note at the left). After about 2-3 days you can insert the back Groomer Disc. Please visit our website**

**⚠ Important: Don't insert the Groomer Discs for a few days until your cat gets familiar with going in and out of the KittySalon Groomer.**

**[www.kittysalongroomer.com](http://www.kittysalongroomer.com) and click on the FQA link to see more detailed instructions on how to train your cat to go into the KittySalon Groomer.**



## KittySalon Groomer Instructional Manual



**Step 12 – Close the Lid and rotate the two latches on the side to lock the Lid.**



**Step 13 – Reinstall the front Cover that covers the Groomer Discs and Food and Water Dispensers.**

**Step 14 – Now sit back and relax and see how well the KittySalon Groomer is in “Handling your most Annoying Cat Hair problems.”**



**“WITH GOD ALL THINGS ARE POSSIBLE”**

**Matthew 19:26**