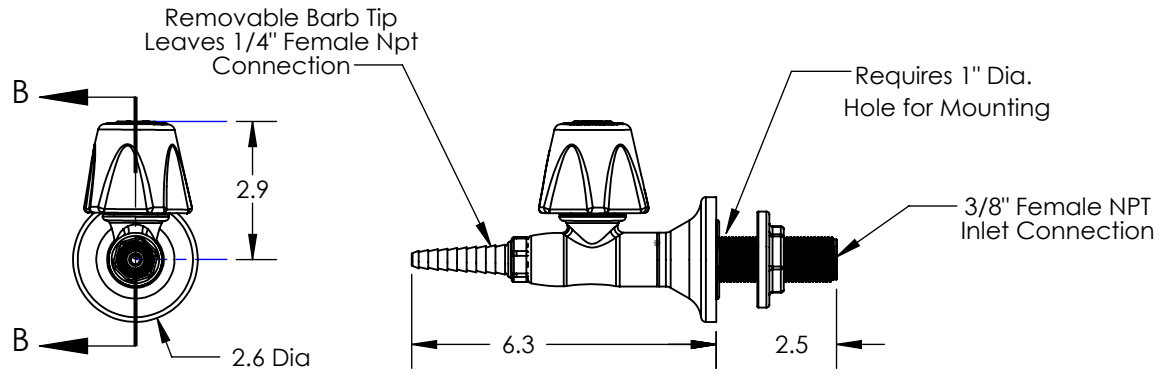
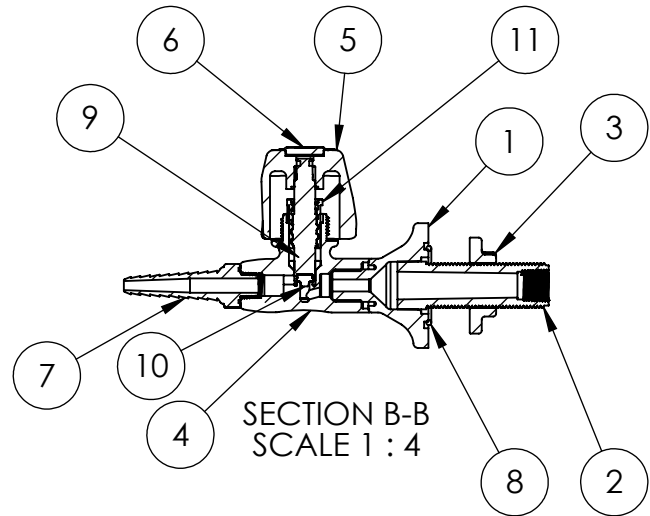
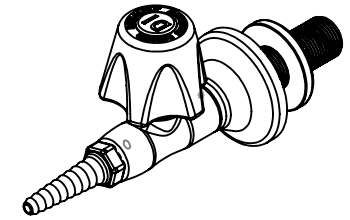



ITEM NO.	PART NUMBER	QTY.
1	LB-A	1
2	LN-375-WN	1
3	LR-375	1
4	DL-GB3	1
5	DL-KNB	1
6	DL-IDDI-ABS	1
7	RMT-250	1
8	LG-CWS	1
9	NV-N-5TENCAP, Stem	1
10	DL-SS-PTFE	1
11	NV-T5TPI-X	1
12	NV-S-PTFPVDF	1



Designer		TITLE: Lab Base Fixture, Deck/Wall Mount, Duraline Control Valve, Removable Barb Tip			
Review					
Engineer					
 MARQUEST SCIENTIFIC Fluid Handling Products		DWG. NO. LB-V-(1) PVC -(2) Natural Polypropylene -(3) PVDF, Natural			
UNLESS OTHERWISE SPECIFIED DIMENSIONS ARE IN INCHES	2950 Airway Avenue, Costa Mesa, CA 92626	SCALE: N/A	Format: SD	REV	SHEET 1 OF 1