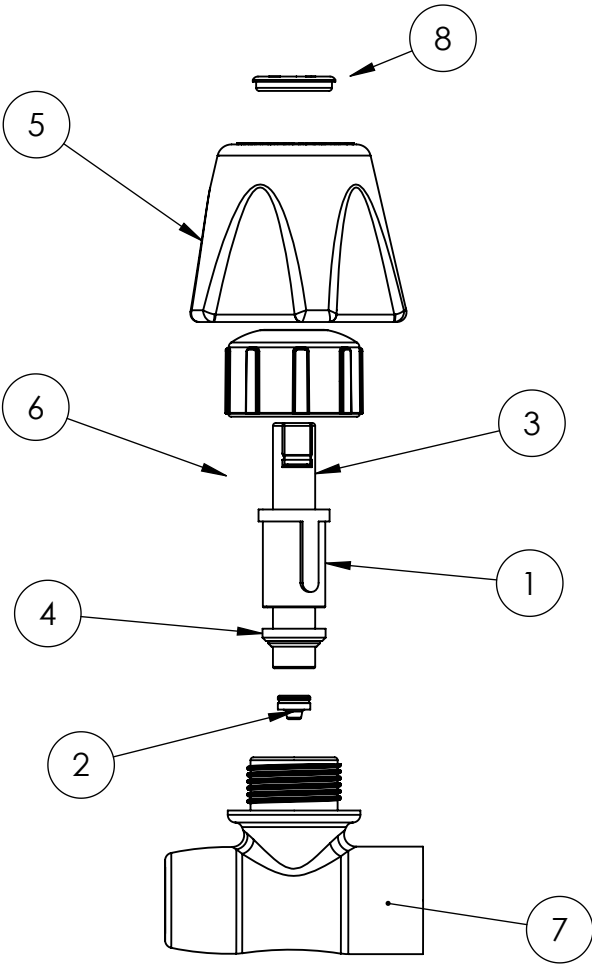



### Instructions for Installing Repair Kit on Duraline Style Control Valves



Renewable Cartridge  
P/N DL-RC-PVD

1. Remove handle(5) from stem(3) by pulling in an outward direction.
2. Unscrew cap(6) from valve body(7).
3. Pull stem(3), threaded insert(1), stem seal(4) and shut off seal(2) from valve body(7). Discard.
4. Insert new repair kit(8) into valve body(7) aligning the male keys and female keyways.
5. Screw cap(6) partially onto valve body(7). Do not tighten.
6. Turn stem(3) counter-clockwise until stop.
7. Tighten cap(6) firmly on to valve body(7) while adjusting the stem to a neutral position, neither fully open nor fully closed.
8. Replace handle(5) on to stem(3) aligning the flats on the stem. Push firmly until stop.

ITEM NO.	PART NUMBER	QTY.
1	NV-T5TPI-X	1
2	DL-SS-PTFE	1
3	NV-N-5TENCAP	1
4	NV-S-PTF (SSI Modified)	1
5	Rotary Knob MQ	1
6	NV-C-X	1
7	Duraline Valve Globe Body	1
8	DL-IDDI-ABS	1

Designer		5/14/2015	TITLE: Repair kit installation instructions for Duraline stlye control valves
Review			
Engineer			
 <b>MARQUEST SCIENTIFIC</b> <small>Fluid Handling Products</small>			DWG. NO. BULLETIN-DDRK
<small>UNLESS OTHERWISE SPECIFIED DIMENSIONS ARE IN INCHES</small>			SCALE: N/A      Format: SD      SHEET 1 OF 1