



TECHNICAL SPECIFICATIONS

HBR 203

MACHINE CRAWLER BASE

Overall width of undercarriage	740/1200 mm
Track Shoe Width	220 mm
Overall Tracks Length	1950 mm
Travel Speed	2 km/h
Max. Gradability	20°
Ground Pressure	94 kPa or 13.6 psi

CLAMPING & BREAKING DEVICES

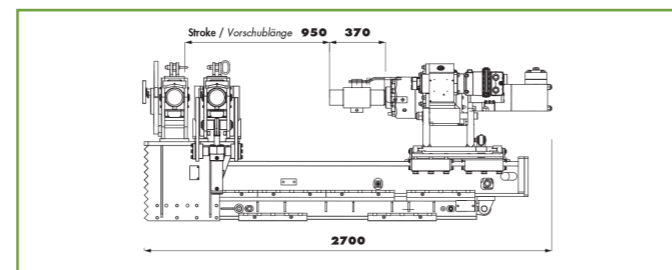
Clamping Force	44,060 lbf - 196 kN
----------------	---------------------

ROTARY HEAD

Max Torque	HG-28 - 27kNm
------------	---------------

OPTIONS

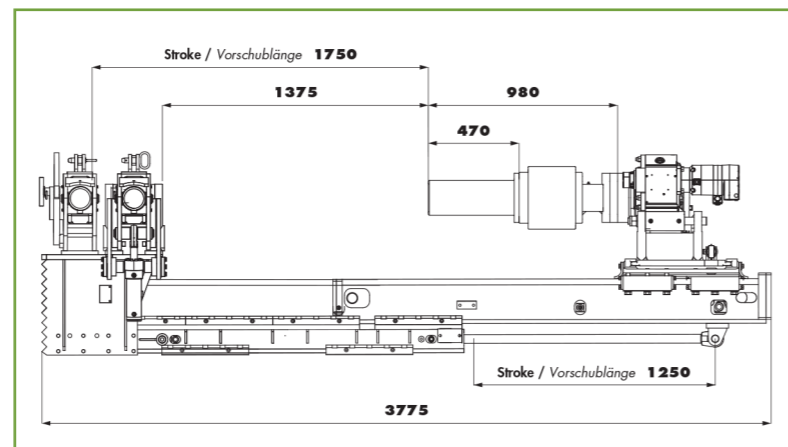
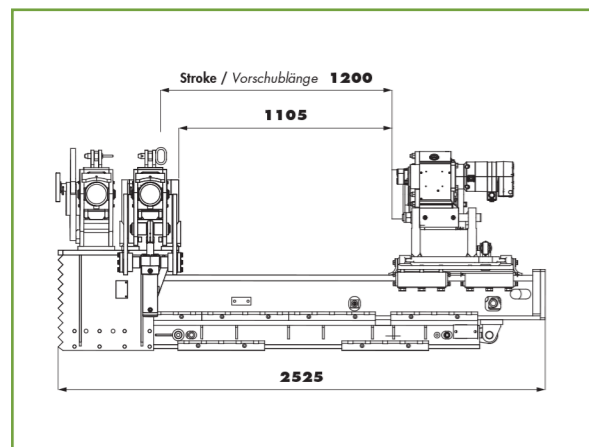
Winch	13 kN or 3,000 lbf
Electric motor	75 kW or 100 HP
Radio remote control	



POWERPACK

PPD 110-4F

Cummins - Diesel	Cummins - Dieselmotor - QSB4,5-TAA - Step 4F
Rated power at 2200 rpm	119 kW
Fuel tank capacity	190 l
Hydraulic oil tank capacity	350 l



WEIGHT

Machine Overall Weight *	7350 kg
Powerpack overall weight *	2700 kg

*Depending on mounted equipment

MAST TECHNICAL DATA

Extraction Force	62 kN
Crowd Force	38 kN
Work crowd / extraction speed	10/16 m/min
Fast crowd / extraction speed	25/41 m/min

