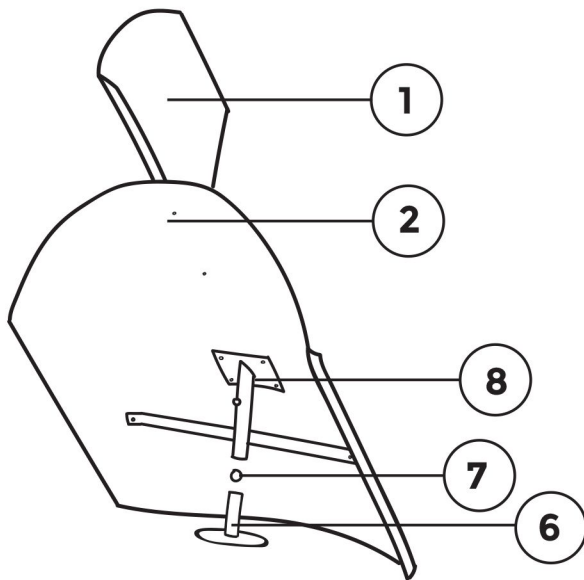


# BHF Mfg. Inc.

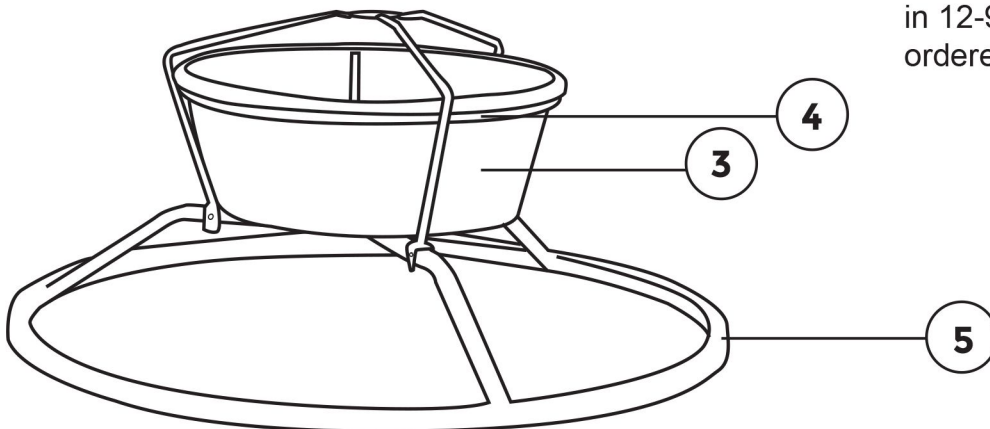
7367 Line 86 RR1, Wallenstein, ON NOB 2S0 TF: 1-855-698-2164 F: 519-698-2658

## ASSEMBLY INSTRUCTION MINERAL FEEDER No. CSF



- ( 1 ) 12-75040 Wind Deflector
- ( 2 ) 12-75141 Roof
- ( 3 ) 12-75144 Rubber Tub 3/4 (Bu.)
- ( 4 ) 12-95145 Tub Ring Assem.
- ( 5 ) 12-95147 Base Ring Assem.
- ( 6 ) 12-95158 Floor Support Weld Assem.
- ( 7 ) 20-72225 5/8" Steel Ball
- ( 8 ) 12-95142 Support Bracket Assem.
- ( 9 ) 12-94953 Hardware Bag

Note : 20-72225 5/8" Steel Ball is included in 12-94953 Hardware Bag but may be ordered separately.



## ASSEMBLY INSTRUCTION

### Base Assembly:

1. Place base ring (12-95148) on a flat surface.
2. Insert Rubber Tub (12-75144) into Tub Ring Assem. (12-95145) then place onto Base Ring (12-95148).
3. Bolt Tub Ring Assem. (12-95145) to Base Ring (12-95148) using four (4) 1/4-20 x 3/4" truss head bolts.
4. (Without Wind Deflector - Attach plastic cover and optional oiler)

### Wind Deflector Assembly:

1. Bolt roof (12-75141) to support bracket (12-95142) using 1/4-20 x 3/4 truss head bolts.
2. Bolt wind deflector (12-75040) to roof using 1/4-20 x 3/4" truss head bolts.
3. Grease roof support shaft (12-95156) and ball bearing (20-72225).
4. Locate ball bearing on roof support shaft and place on the roof support shaft and slide down. \*\*Note: Roof should be free to rotate on ball bearing.
5. Install 1/4-20 x 3/4" truss head bolt with nut in support bracket (12-95142) and adjust so roof cannot lift. Adjust nut so bolt cannot work loose.
6. (Optional Oiler - Bolt Oiler to Roof (12-75141)

### Final Assembly:

- Bolt Floor Support Weld Assem. (12-95158) to top of Base Ring (12-95148).