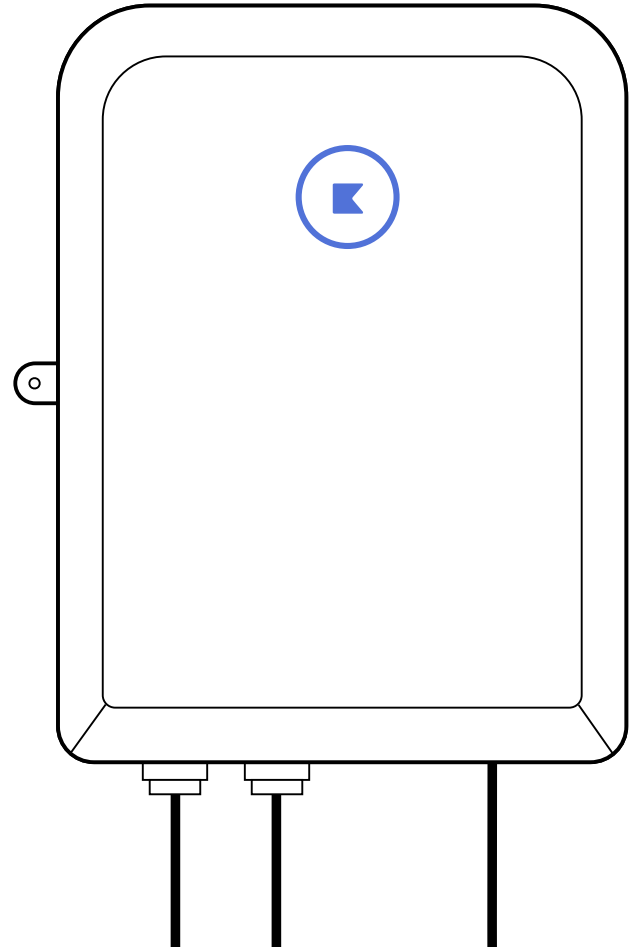


kisi

# Wiring Handbook for Controller

Controller Pro 1.1



# Contents

- Introduction <sup>(3)</sup>
- What You'll Need <sup>(4)</sup>
- What's in the Box <sup>(5)</sup>
- Mounting the Controller <sup>(6)</sup>
- Controller Components <sup>(7)</sup>
- Activating the Controller <sup>(8)</sup>
- Wiring the System - Overview <sup>(10)</sup>
- How to Wire Your Doors <sup>(11-14)</sup>
- Support <sup>(15)</sup>

## Introduction

# Hi there!

We're happy to hear that your Kisi system is ready to be installed! The first thing you should do is create a profile. Please go to [web.kisi.io/users/sign\\_in](https://web.kisi.io/users/sign_in) and select "New to Kisi? Sign Up." Once you've created your profile you will need to confirm your email. After you've confirmed your email, Kisi can transfer your account to you.

We have created your "place" account and associated your devices with your account for you. Upon installation, please reach out to Kisi to have us transfer your account to you and help get you onboarded. With regards to the Kisi admin portal, the most comprehensive resource is our Help Center: [help.kisi.io](https://help.kisi.io)

From there, you will be able to navigate each aspect of our devices and read through related articles on how to best familiarize yourself with the Kisi installation and onboarding.

[Get Started With Your Installation](#)—this will walk you through the requirements to set up your Kisi system. There are project management suggestions, wiring diagrams, hardware specifications, etc.

[Set Up Your Admin Dashboard](#)—this section will provide step-by-step instructions on how to optimize your admin dashboard. If you run into any issues, our Knowledge Base has articles to help you troubleshoot your Kisi devices.

Should you have any questions at all, throughout the entire installation/onboarding process, please feel free to reach out at any time via email or phone. We can be reached at [+1 \(646\) 663-4880](tel:+16466634880). We'd also be happy to jump on a Skype call or do a screen share session; simply let us know what date/time works best for you and we can get that scheduled.

Good luck and don't hesitate to contact us if you have any questions.

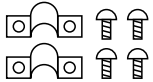
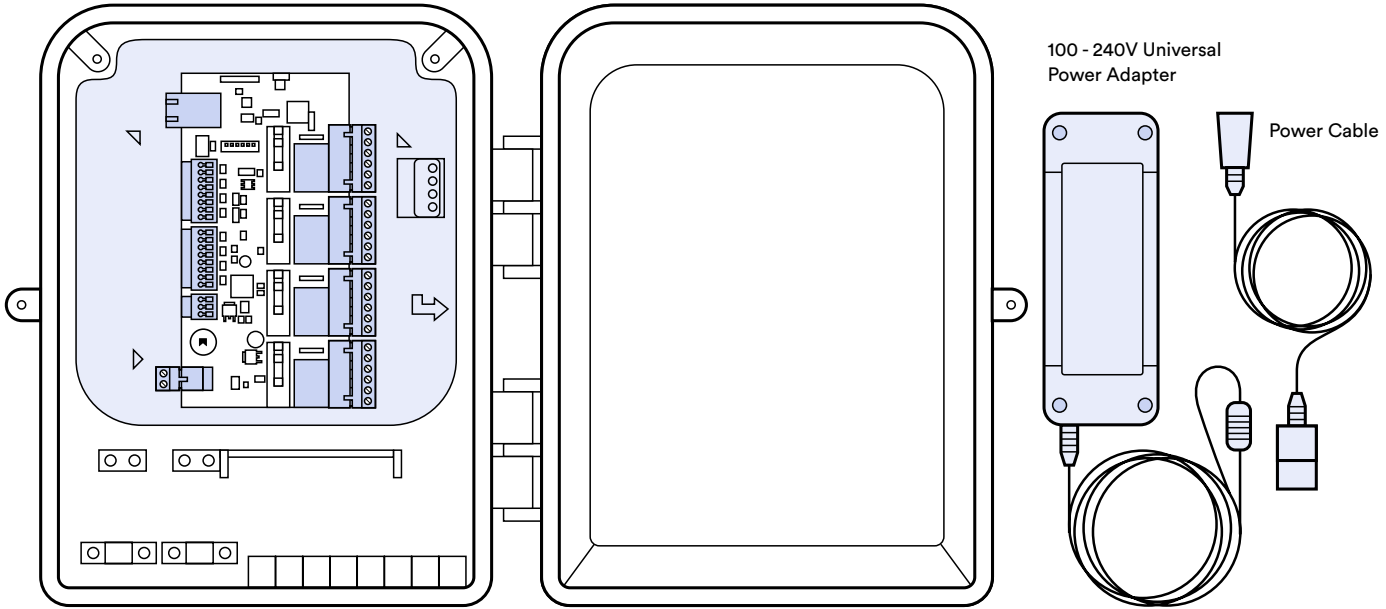
# What You'll Need

1. Phillips and Small Flathead Screwdrivers
2. Wire Cutters
3. Low Voltage Cables (e.g. 18 Gauge)
4. Ethernet Cables (CAT6)
5. Wire Connectors
6. 3/16-inch (5mm) Drill Bit for Wall Anchors
7. Working Internet Connection (Ethernet or WiFi)

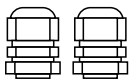


# What's in the Box

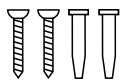
Controller Pro 1.1



Wiring Brackets  
+ 4 Screws (A)



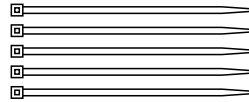
Wiring  
Caps



2 Screws (B) for Mounting  
+ 2 Wall Anchors



Mounting Plate



5 Zip Ties



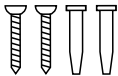
Wingnut Key

# Mounting the Controller Pro 1.1

Using the provided mounting plate, drill two holes for the wall anchors, then insert the wall anchors into the holes. Next, screw the mounting screws into the wall anchors and then hang the Controller Pro 1.1 on the screws, using the holes in the back of the Controller Pro 1.1 case.

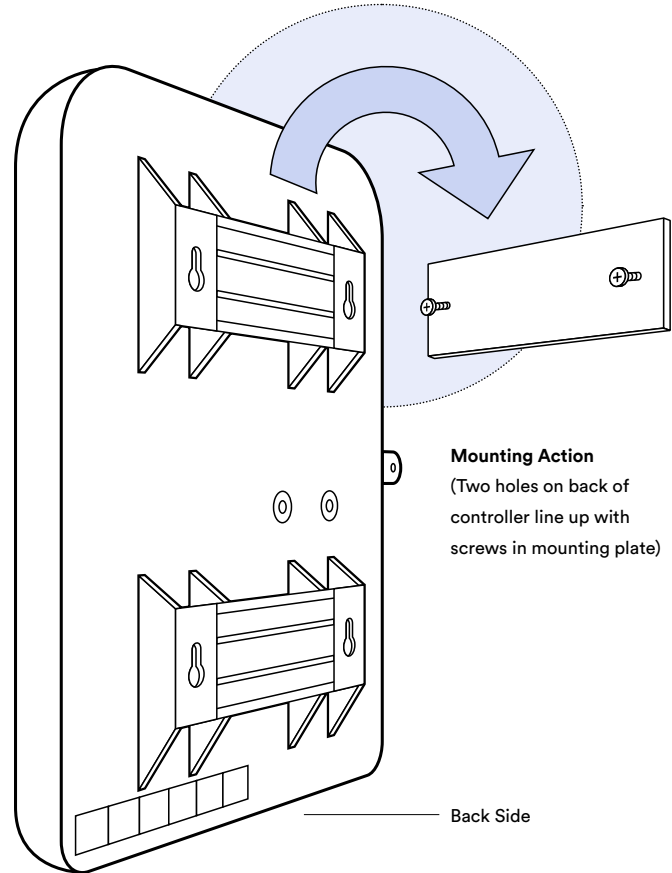


Mounting Plate



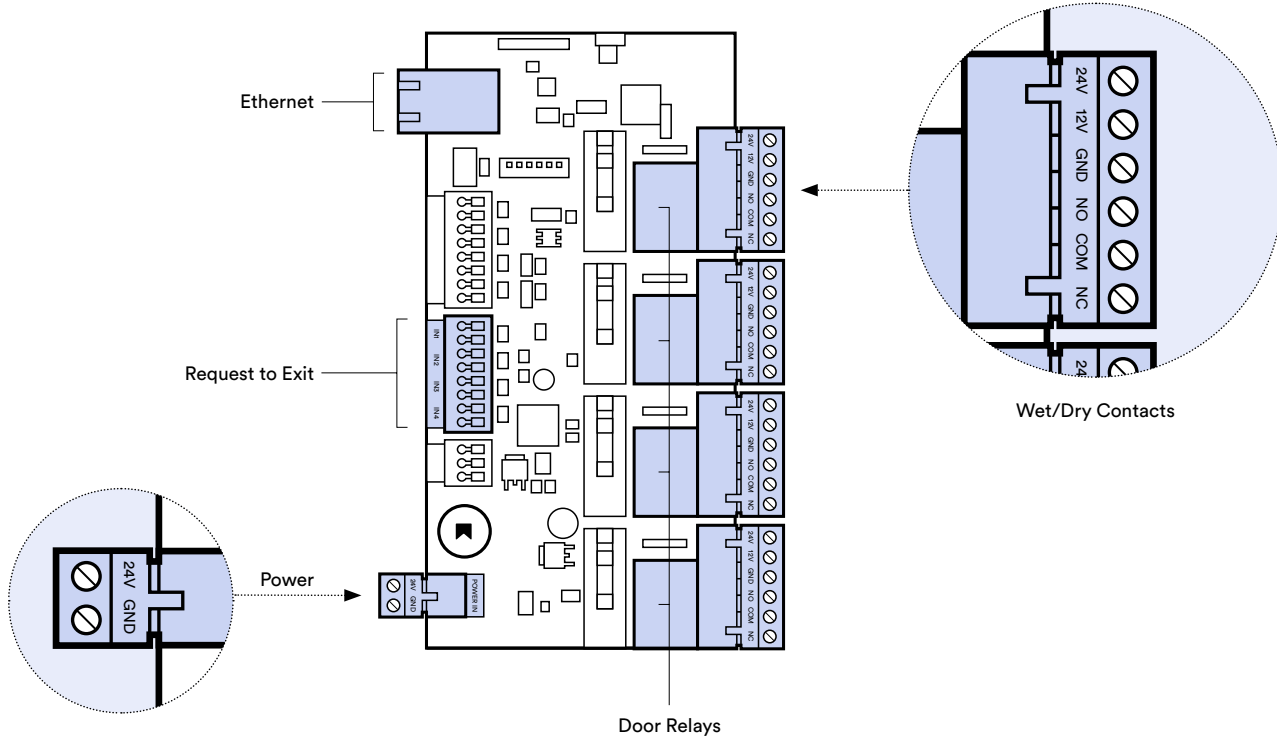
2 Screws

2 Wall Anchors



# Controller Components

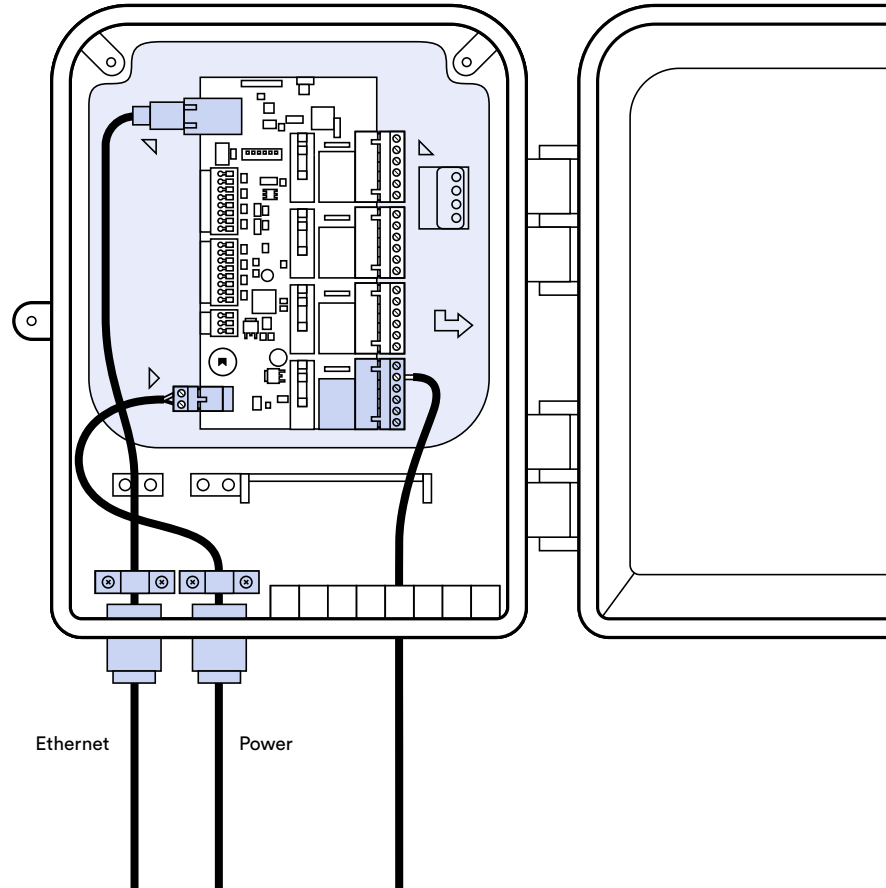
! Reader is wired to Internet switch (not to controller)



# Activating the Controller

- Power Up
- Connect to Internet \*
- Call +1 (646) 663 4800

\* If you are connecting via WiFi, instead of Ethernet, go to [help.kisi.io](https://help.kisi.io) for further instructions.

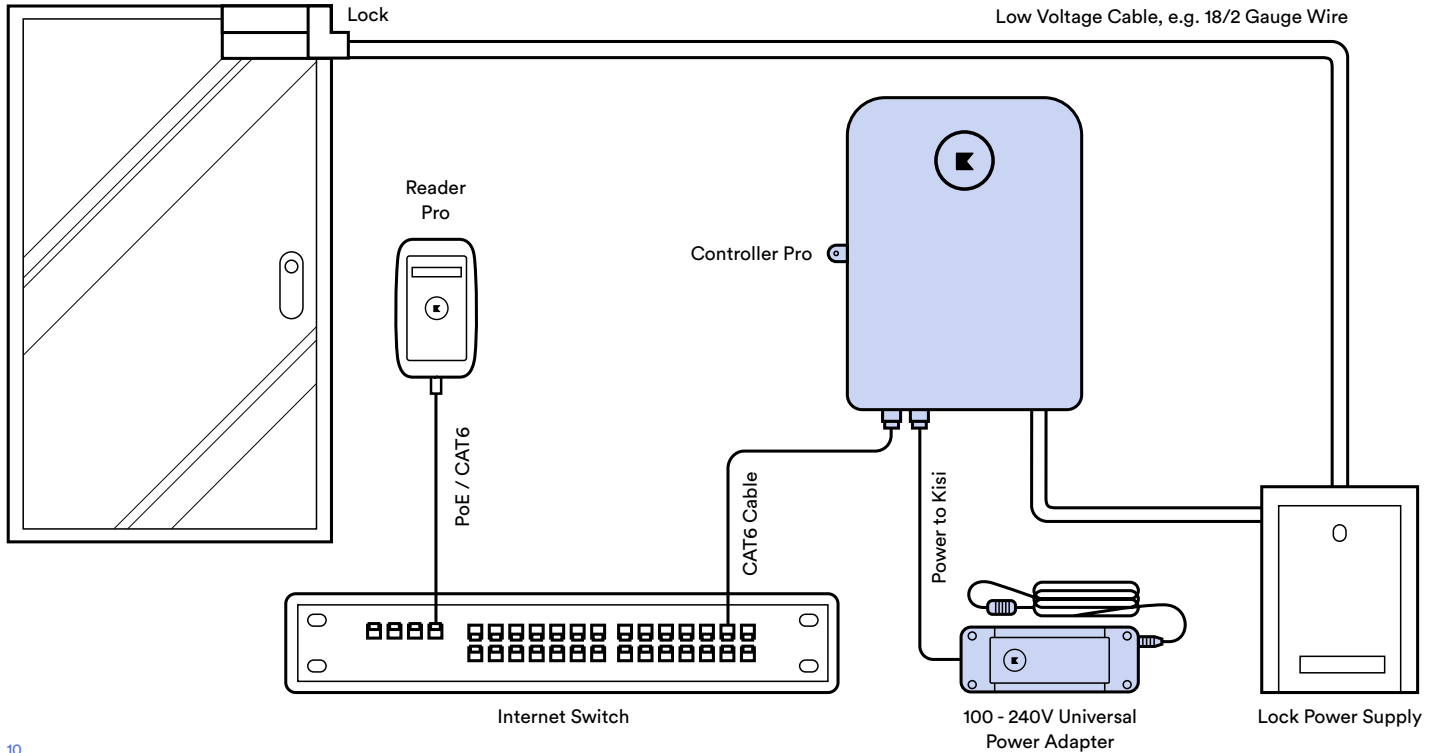




# Wiring the System

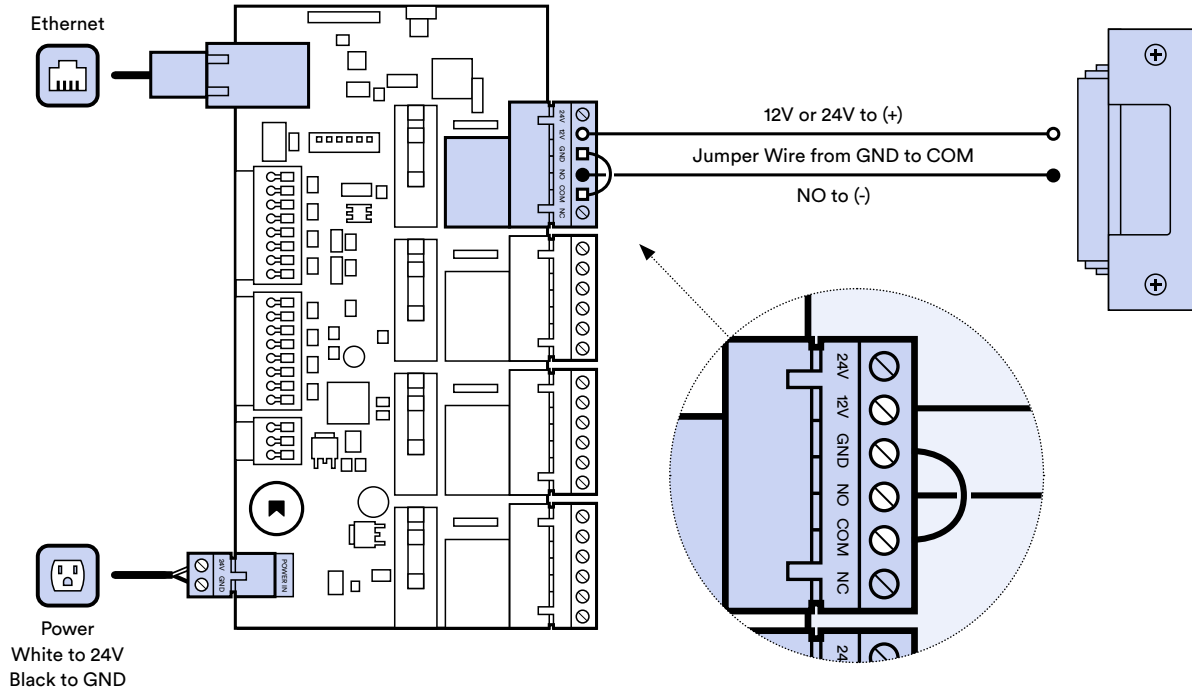
# Wiring the System

## Overview With External Power Supply



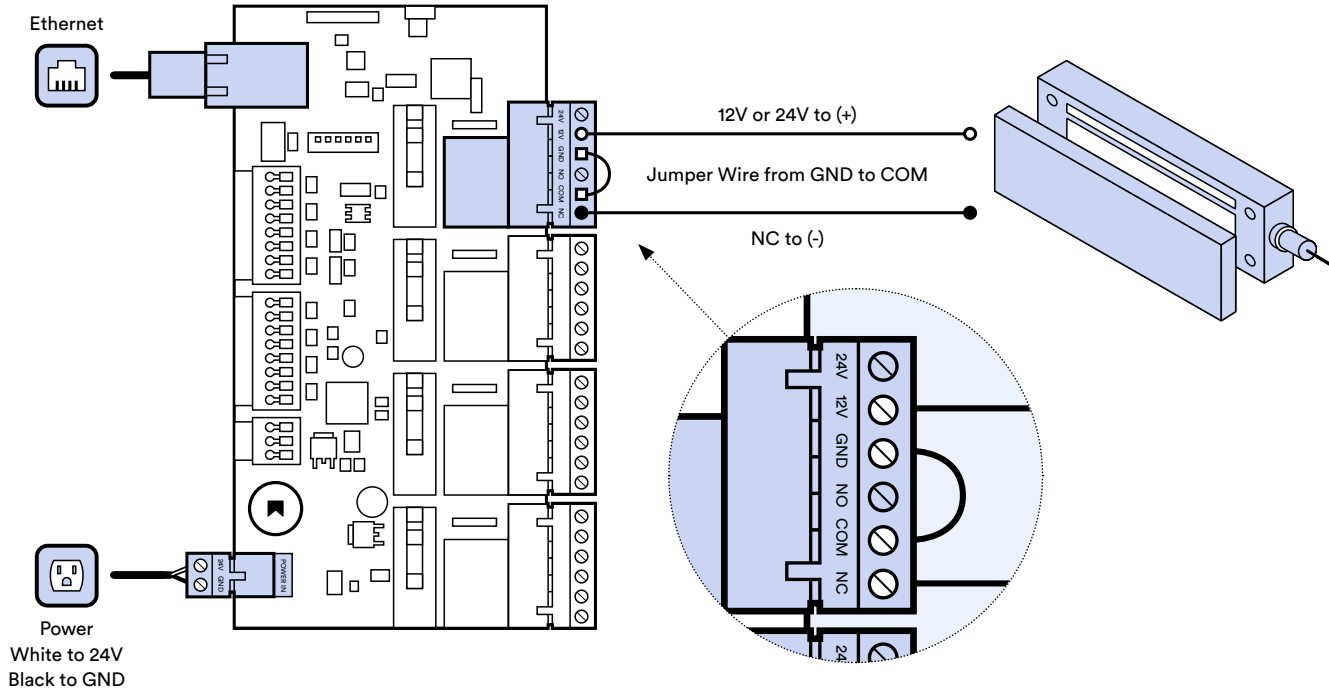
# Standalone Fail Secure Electric Strike

## Wet Contact



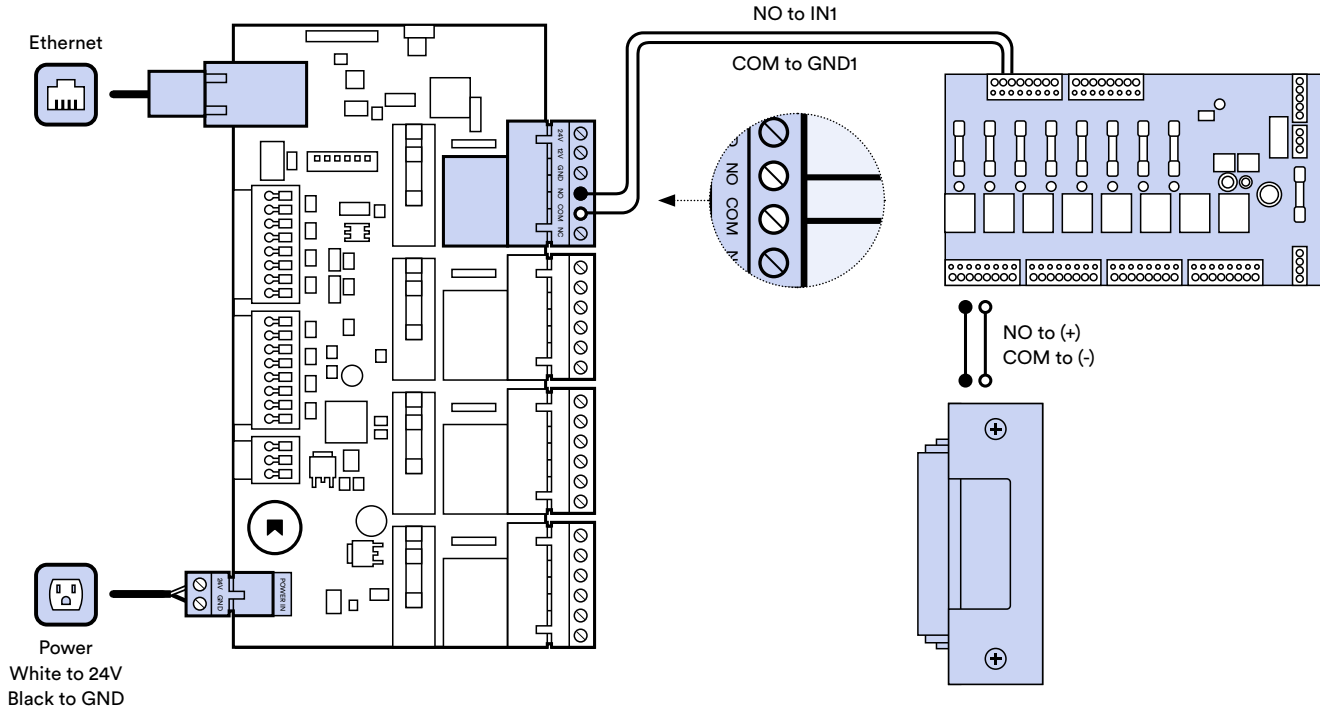
# Standalone Fail Safe Magnetic Lock

## Wet Contact

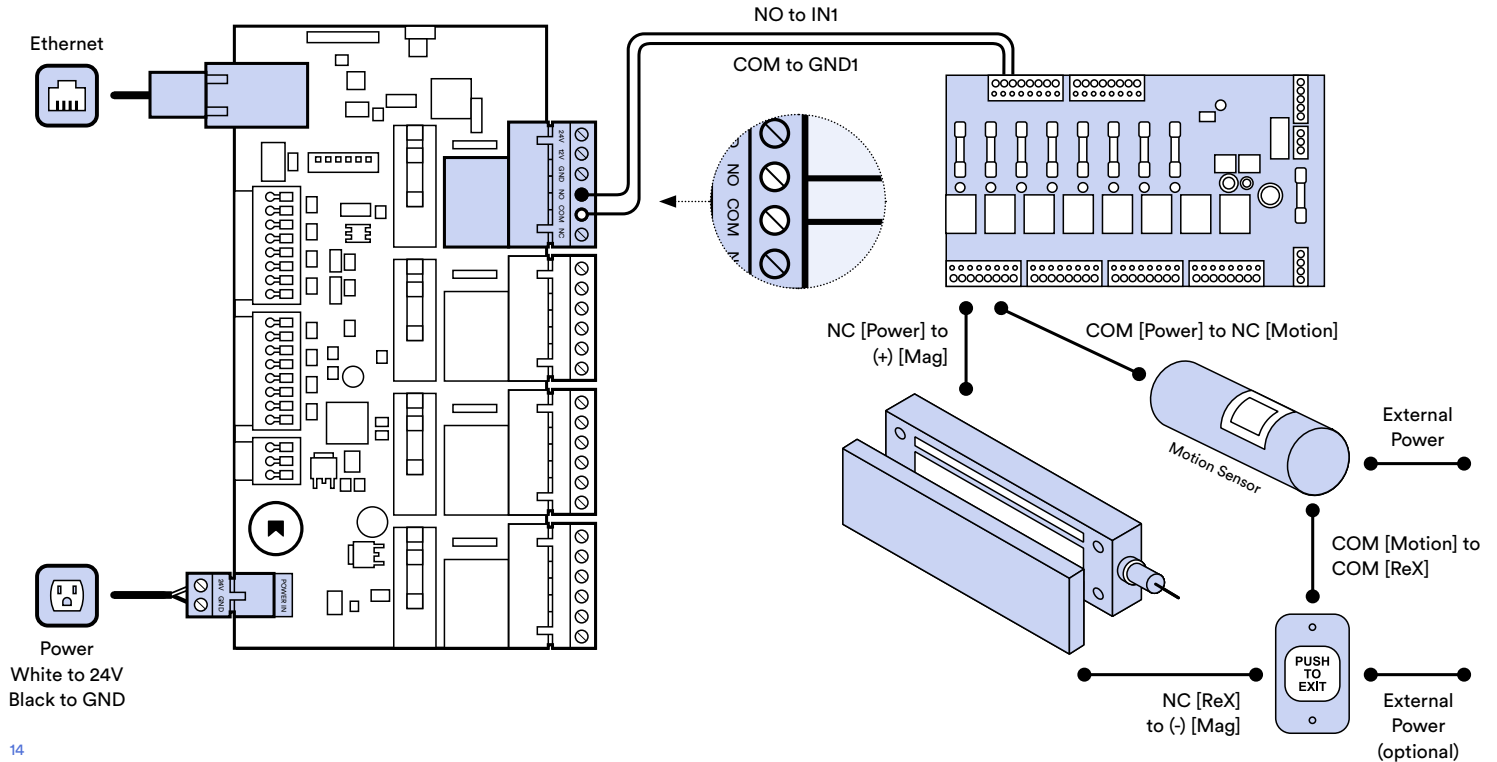


# External Power Supply & Fail Secure Electric Lock

## Dry Contact



# External Power Supply & Fail Safe Electric Lock with REX & Motion Sensor **Dry Contact**



support@getkisi.com  
<https://help.kisi.io>  
+1 (646) 663 4880



# Support

Thanks for purchasing the  
Kisi Controller Pro 1.1.

If things aren't working correctly or  
you need assistance, please contact  
us immediately.

Sincerely,  
The Kisi Krew

[support@getkisi.com](mailto:support@getkisi.com)  
<https://help.kisi.io>  
+1 (646) 663 4880

