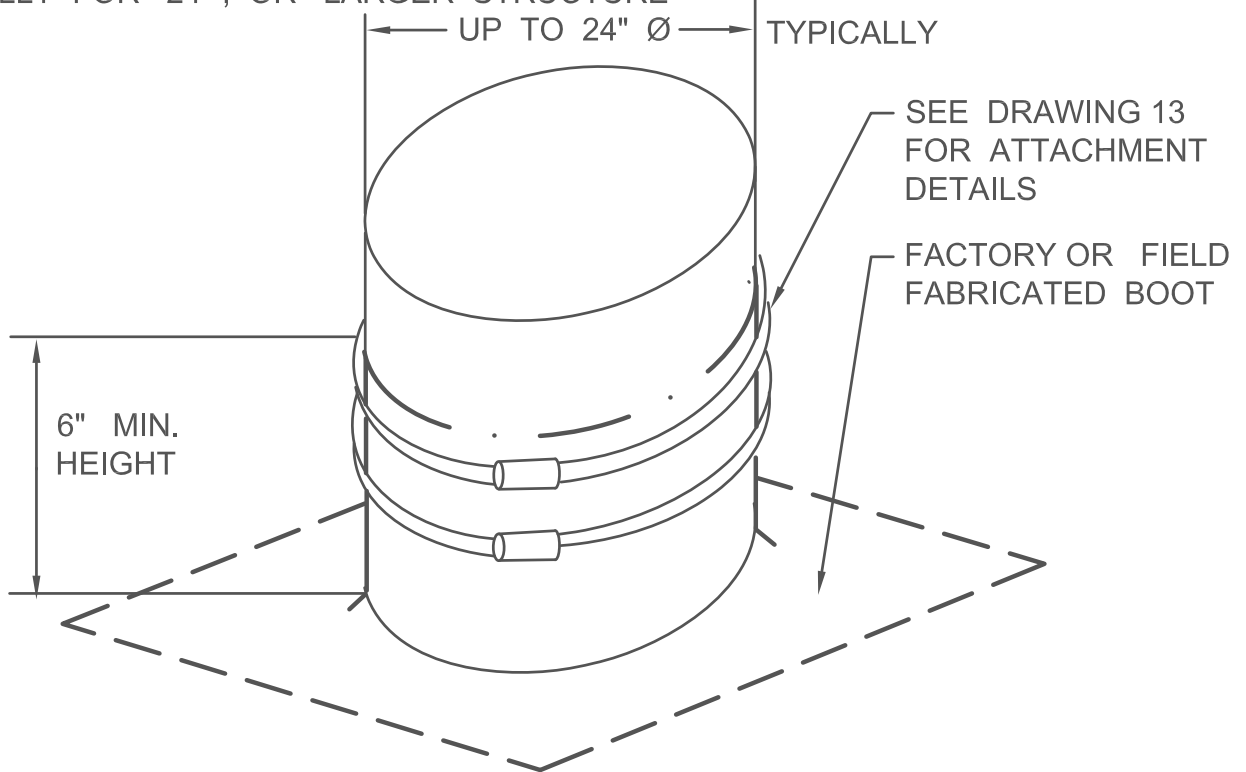


**RECTANGULAR VERTICAL PENETRATIONS OF COLUMNS**  
 TYPICALLY FOR 24" , OR LARGER STRUCTURE



**CIRCULAR VERTICAL PENETRATIONS OF COLUMNS**

<b>VERTICAL Penetration Details</b>			
Company Name:			
DRAWN BY:	SCALE:	DATE:	DRAWING NUMBER:
			7