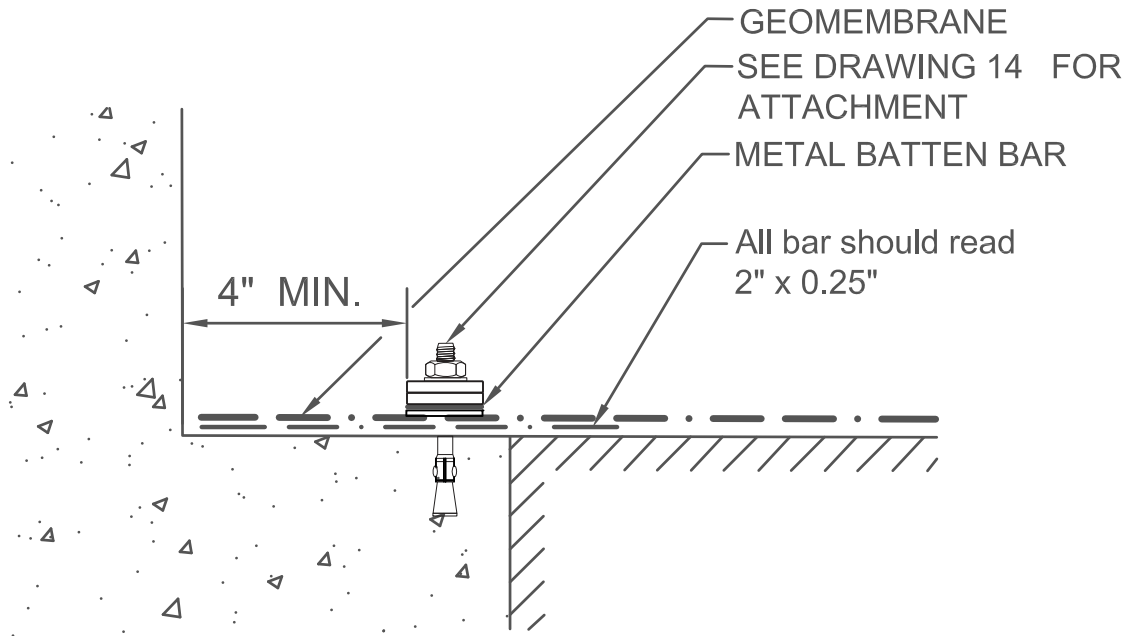
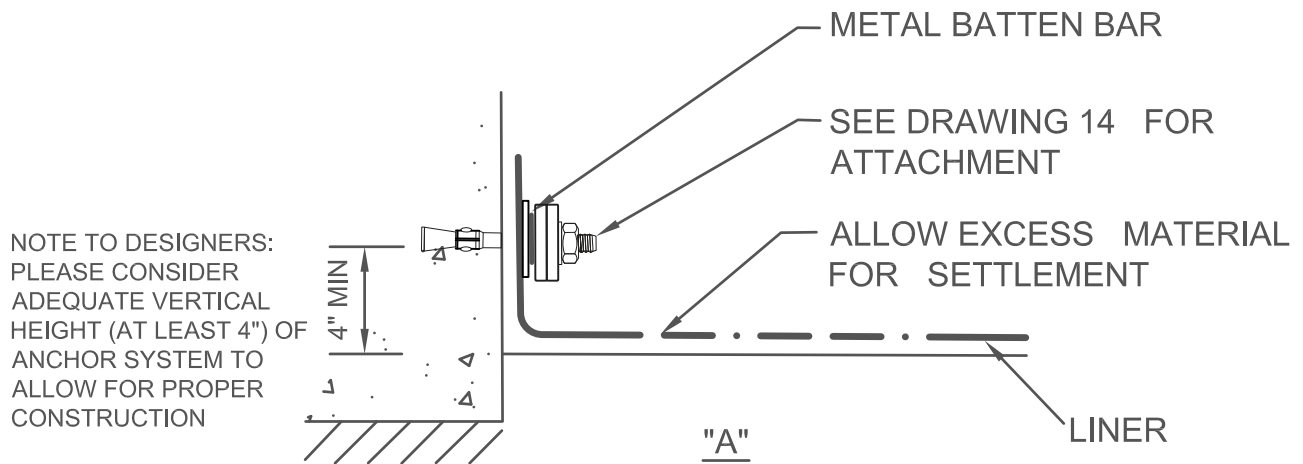


"B" PREFERRED WALL ATTACHMENT



NOTE TO DESIGNERS: PLEASE CONSIDER ADEQUATE HORIZONTAL DISTANCE OFF VERTICAL WALL (AT LEAST 4") OF ANCHOR SYSTEM TO ALLOW FOR PROPER CONSTRUCTION

TYPICAL WALL ATTACHMENT



NOTE TO DESIGNERS: PLEASE CONSIDER ADEQUATE VERTICAL HEIGHT (AT LEAST 4") OF ANCHOR SYSTEM TO ALLOW FOR PROPER CONSTRUCTION

Typical Concrete Wall Attachment Details			
Company Name:			
DRAWN BY:	SCALE:	DATE:	DRAWING NUMBER:
			4