

EnviroPod™ Filter

**COST-EFFECTIVE, EASILY
MAINTAINED CATCHPIT/
GULLYPIT INSERT**

CATCHPIT SIZING SHEET

PROJECT NAME:

PROJECT LOCATION:

CONTACT NAME:

COMPANY:

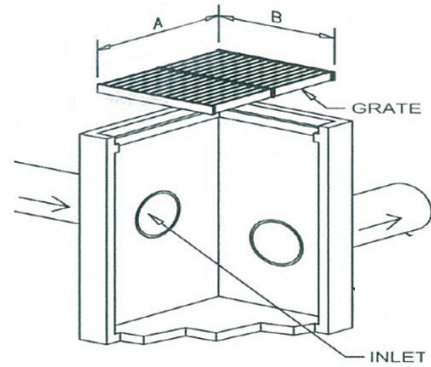
DATE:

STEP 1: GRATE SIZE

Measure the size of the grate.

A = _____ MM

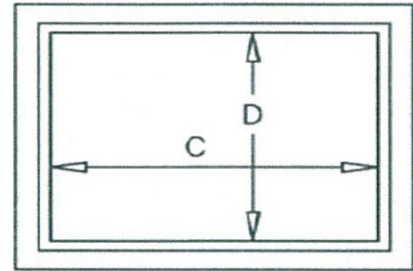
B = _____ MM



STEP 2: OPENING

C = _____ MM

D = _____ MM



STEP 3: DEPTH

E = _____ MM

F = _____ MM

