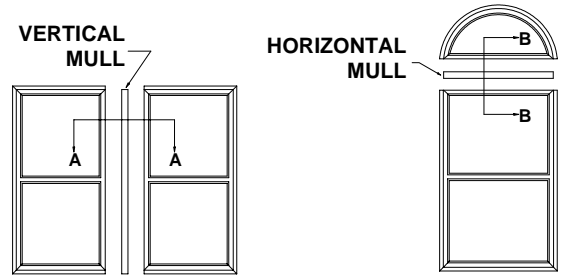




# SERIES 30/31

## OPERATING & FIXED PICTURE WINDOW HORIZONTAL & VERTICAL MULLING INSTRUCTIONS



**Step 1:** Remove nailing fin and J-channel on the sides of the windows that will be connected to the mull by first scoring the fin with a sharp object then peeling away as shown in figure A. Repeat on J-channel.

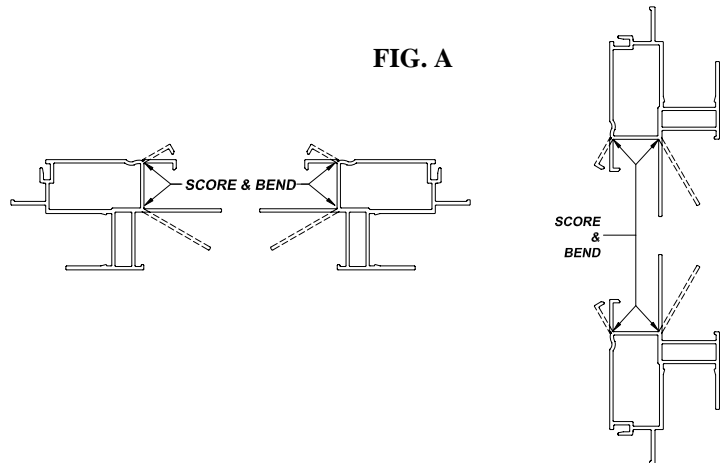


FIG. A

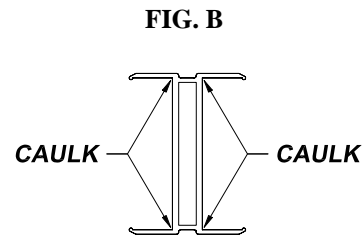


FIG. B

**Step 2:** Apply clear silicone caulking down entire length of the four corners of the mull as shown in figure B.

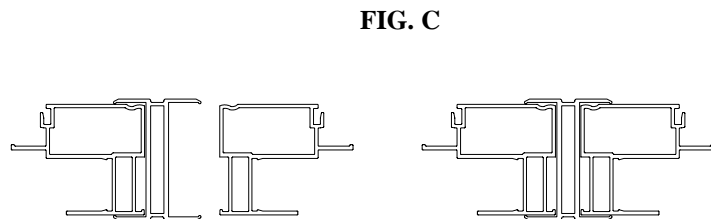


FIG. C

**Step 3:** Position mull between the two windows as shown in figure C.

**Step 4:** Position two mulling plates at end of mull on each side of the fin as shown in figure D. Secure with #8 x 3/8" screws provided. Drill a 3/32" pilot hole if needed. Remove excess weld flashing if necessary to allow plates to lie flat. Repeat at opposite end of mull.

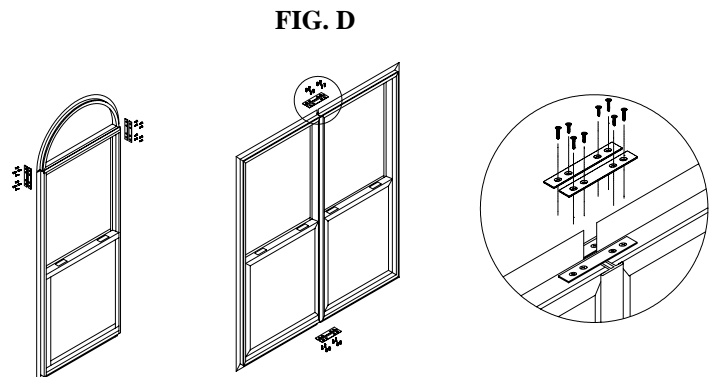


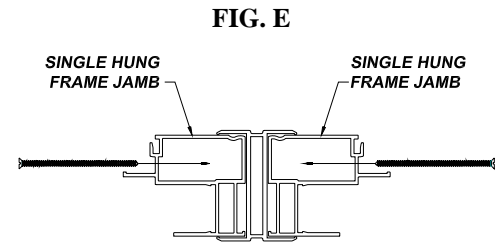
FIG. D

(OVER)

## Step 5: FOR WINDOWS OVER 4 FEET IN HEIGHT

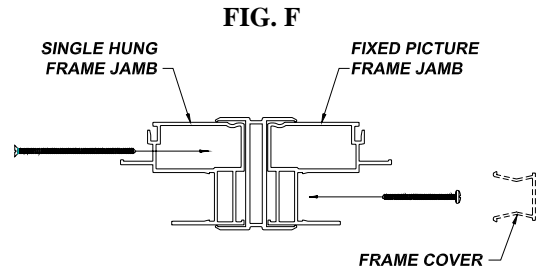
### WHEN MULLING SINGLE HUNG BESIDE SINGLE HUNG:

Remove screens if installed. At approximately 2" below the meeting rail install one #8 x 2 1/2" screw through the frame jamb screen channel as shown in figure E. Drill a 3/32" diameter pilot hole if needed. Repeat procedure on opposite window making sure screw is approximately 1" lower than previous screw.



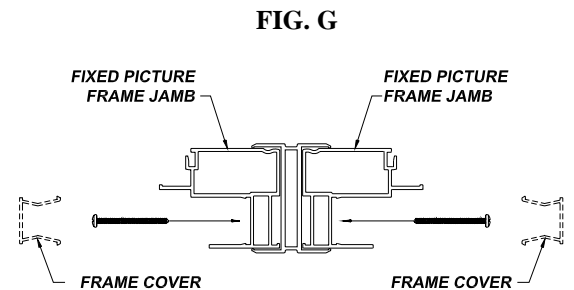
### WHEN MULLING SINGLE HUNG BESIDE PICTURE WINDOW:

**WINDOW:** Remove screen from single hung window if installed. At approximately 2" below the meeting rail install one #8 x 2 1/2" screw through the frame jamb screen channel as shown in figure F. Drill a 3/32" diameter pilot hole if needed. Remove the frame cover from the fixed picture window jamb. See figure F. At approximately 1" lower than previous screw install a #8 x 1 1/2" screw in the frame cover channel as shown in figure F. Drill a 3/32" diameter pilot hole if needed. Replace the frame cover.



### WHEN MULLING PICTURE WINDOW BESIDE PICTURE WINDOW:

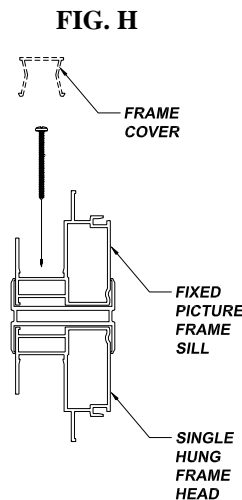
**WINDOW:** Remove the frame covers from the fixed picture window jambs. See figure G. In the approximate center of the jamb install a #8 x 1 1/2" screw in the frame cover channel as shown in figure G. Drill a 3/32" diameter pilot hole if needed. Repeat procedure on opposite window making sure screw is approximately 1" lower than the previous screw. Replace the frame covers.



## FOR WINDOWS OVER 3 FEET IN WIDTH

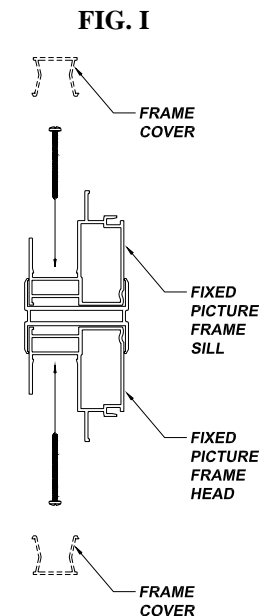
### WHEN MULLING PICTURE WINDOW OVER SINGLE HUNG:

Remove the frame cover from the fixed picture window sill. See figure H. In the approximate center of the sill install a #8 x 1 1/2" screw in the frame cover channel as shown in figure H. Drill a 3/32" diameter pilot hole if needed. Replace the frame cover.



### WHEN MULLING PICTURE WINDOW OVER PICTURE WINDOW:

Remove the frame covers from the fixed picture window head and sill as shown in figure I. In the approximate center of the head install a #8 x 1 1/2" screw in the frame cover channel as shown in figure I. Drill a 3/32" diameter pilot hole if needed. Repeat procedure on opposite window making sure screw is approximately 1" over from the previous screw. Replace the frame covers.



**Step 6:** Remove clear lining from moisture seal. From the exterior edge of the windows, firmly apply seal over mulling plate, pressing up nailing fins. Repeat at opposite end of mull.