



S30 Freestanding Gas Stove  
Powder Coated Grey Side Panels

**S30**

FREESTANDING GAS STOVE





# S30

## FREESTANDING GAS STOVE

S30 Freestanding Gas Stove, Painted Black Side Panels

### Gas Stove Details

|                     |                       |
|---------------------|-----------------------|
| BTU Input           | 20,000 BTU's          |
| Area Heated**       | 1,100 ft <sup>2</sup> |
| Turn Down           | 50%                   |
| EnerGuide FE Rating | 74.5%                 |
| Venting             | Top / Rear            |
| Glass Size          | w17½" x h19¾"         |
| Fuel Compatibility  | NG & LP               |

\*\* Efficiency and area heated will vary according to gas type and venting. Approved for sale in Canada and the United States.

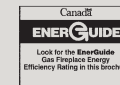
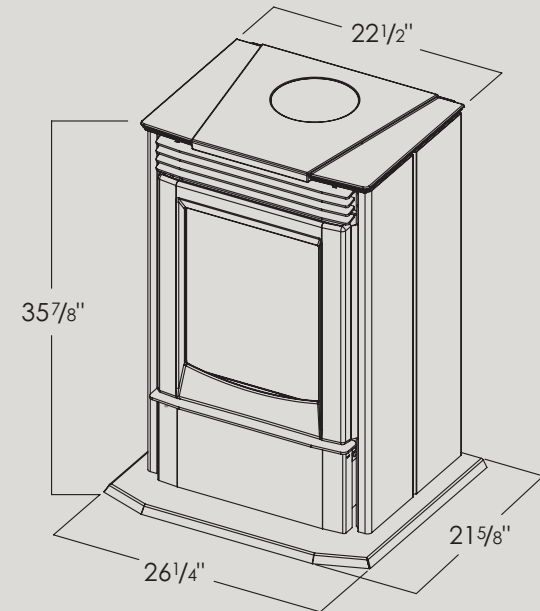
### Clearance to Combustibles

|  |      |
|--|------|
| Min. distance to the sides of the unit                       | 10¾" |
| Min. distance to non-combustible surface behind the unit     | 4"   |
| Min. distance to non-combustible surface from above the unit | 12"  |

Please see owner's manual for more information

### S30 Features

- European made cast iron accents
- Choice of side panels & ash lip
  - Painted black
  - Powder coated grey
- Nova and IPI editions
- Field conversion kit NG to LP
- Thermostat or remote compatible
- Ceramic logset
- Removable hearth pad
- Top vent / rear vent convertible
- Heavy duty heat exchanger
- Easy access controls
- 150 CFM variable speed fan
- Clear View safety screen



Manufactured by Sherwood Industries Ltd ▪ Victoria, BC, Canada  
 enviro.com ▪ info@enviro.com ▪ Printed in Canada, February 2016