



Hampton H200 medium wood stove in charcoal gray finish.

HAMPTON® WOOD STOVES | H200 • H300

COMFORT AND CONVENIENCE

Convenient and efficient, these wood stoves will keep your home comfortable all year – even during power outages. Add a 2 speed blower to circulate even more heat to every part of your room.

ENVIRONMENTALLY FRIENDLY

All Hampton wood products are certified by the Environmental Protection Agency (EPA) and meet or exceed the strictest of clean air standards. Available in two sizes including a hearth mount version, Hampton wood stoves work hard and look great!

SPECIFICATIONS	H200	H300
Maximum BTU*	38,800	45,500
Typical Sq. Ft. Heated**	600-1,000	1,000-2,000
Optimum Efficiency	83.9%	83.6%
Maximum log size	16"	18"
Burn time (Typical)*	up to 6 hrs	up to 8 hrs
Emissions (grams/hour)	3.9	4.1
Firebox size	1.34 cu. ft	1.71 cu. ft.
Flue size	6"	6"
Shipping Weight	417 lb.	474 lb.

* Length of burn time and BTU range depend on type of wood, moisture content, climate conditions and installation.

** Varies depending on home floor plan, house layout, heat loss of the house and quality/moisture content of wood.



Hampton H300 large wood stove shown with optional side shelves in timberline brown enamel finish.

BURN TIME
up to
8 HOURS*

STANDARD FEATURES

- EPA Certified
- Non-catalytic technology
- Single draft lever control
- Airwash system
- Brick-lined firebox
- Cast iron door with oak handle
- Cast grille
- Ceramic glass
- Standard legs
- Top or rear vent
- 6" flue
- Ash drawer (H300)
- Front and side door loading (H300)
- Cast iron cooktop surface (H300)

OPTIONS

- Charcoal grey or timberline brown enamel finish
- Matching side shelves (set of two)
- Matching short cast legs
- 2 speed blower
- Outside air adaptor (use with standard legs only)
- Ash drawer (H200 - use with standard legs only)
- Stainless steel liner kits
- Wrap insulation kits



H300 shown in charcoal grey finish.



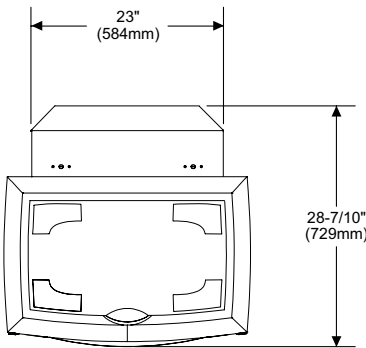
H200 shown with optional side shelves in timberline brown enamel finish.



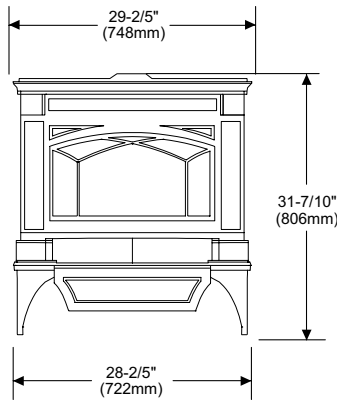
H200 shown with short cast legs in charcoal grey enamel finish.

HAMPTON® PELLET PRODUCTS

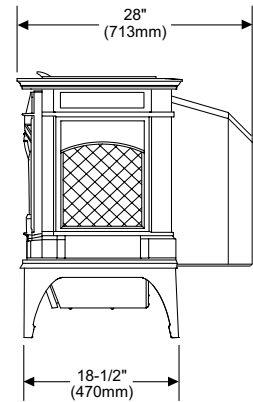
GC60 PELLET STOVE



TOP

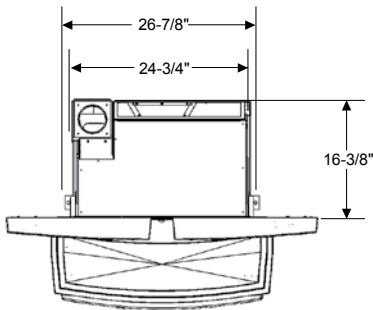


FRONT

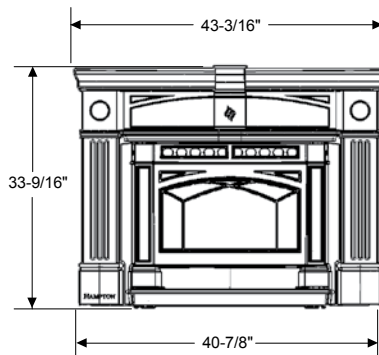


SIDE

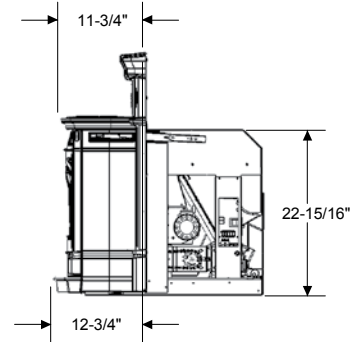
GCI60 PELLET INSERT



TOP

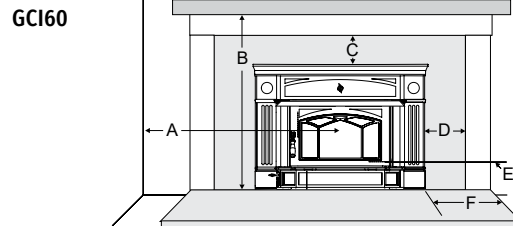
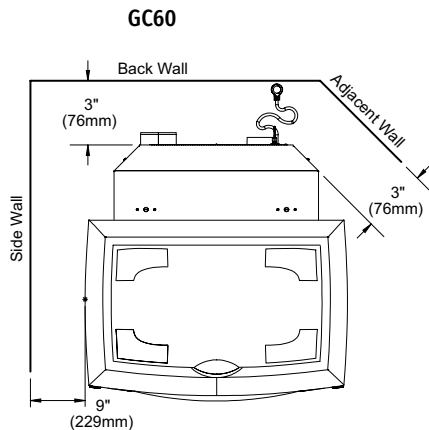


FRONT



SIDE

CLEARANCES



MASONRY & FACTORY BUILT FIREPLACE CLEARANCES

The minimum required clearances to combustible materials when installed into a masonry fireplace are:

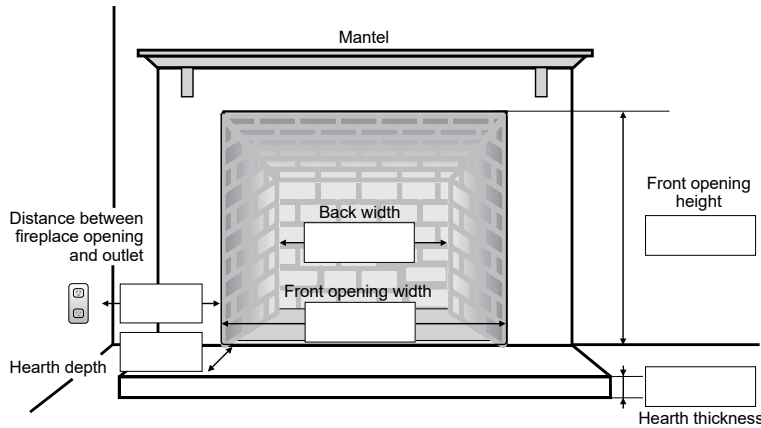
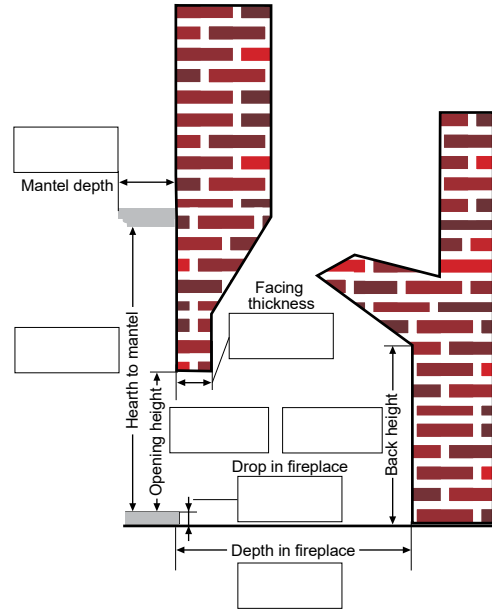
	Adjacent Side Wall (from center)	Mantel (12") (bottom unit)	Top Facing (3/4" protrusion) (top faceplate)	Adjacent Side Wall (from faceplate)	Min. Hearth Extension (from door opening)	Min. Hearth Side Extension (from side of unit)
	A	B	C	D	E	F
GCI60	24"	33"	0	2"	6"	6"

FIREPLACE SELECTION WORKSHEET

We want you to enjoy your beautiful Hampton fireplace for years to come. To help you figure out which product is just right for your home, fill in the following worksheet. Once complete, visit your nearest Hampton dealer. Your professional dealer will assess your needs - including local building codes - and install your Hampton.

1. BASIC PRODUCT FUNCTION QUESTIONS	
a. I would like my unit to provide me with:	<input type="checkbox"/> Supplemental heating <input type="checkbox"/> Priority heating
b. The room/rooms I would like to heat are:	sq. ft.

2. FIREPLACE PRODUCT TYPE AND MEASUREMENTS	
a. I am:	<input type="checkbox"/> Installing a new fireplace <input type="checkbox"/> Installing into an existing fireplace
b. Fill in the following measurements:	Ceiling Height:
	Location in the room:
c. What is the:	Flooring material:
	Wall material:
	Ceiling material:
d. Fireplace opening dimensions:	Width (front):
	Width (back):
	Height:
	Depth:



www.regency-fire.com

© 2016 FPI Fireplace Products International Ltd. Regency, Hampton, Heat Wave, Heat Release, SureFire, AstroCap and FireGenie are registered or proprietary trademarks of FPI Fireplace Products International Ltd. All rights reserved. Printed in Canada (07/16) Part no. 944-235

your Regency dealer