



Hampton HI300 wood insert in timberline brown enamel finish with decorative cast grille.

## HAMPTON® WOOD INSERTS | HI300 • HI200

### HIGH EFFICIENCY HEAT

Hampton cast wood inserts install easily into your existing fireplace adding the timeless beauty of cast iron while eliminating drafts from an open fireplace.

### PERFECT SOLUTION

These fireplace inserts can deliver up to 75,000 BTU of high efficiency heat, circulating comforting warmth to the living areas you spend time in. Decrease your heating bills and increase the value of your home with one of two inserts sized to fit your fireplace and your lifestyle.

SPECIFICATIONS	HI300	HI200
Maximum BTU*	75,000	55,000
Typical Sq. Ft. Heated**	1,000-2,000	600-1,000
Optimum Efficiency	77.0%	77.7%
Maximum Log Size	18"	18"
Burn time (Typical)*	up to 8 hrs.	up to 8 hrs.
Emissions (grams/hour)	3.44	3.0
Firebox Size	2.3 cu.ft.	1.4 cu.ft.
Flue size	6"	6"
Shipping Weight	437 lb.	258 lb.

MINIMUM FIREPLACE OPENING		
Width (front)	25"	25"
Height	21-1/2"	19-5/8"
Depth	17-1/2"	15-1/16"
Depth (with offset flue)	--	17-11/16"

\* Length of burn time and BTU range depend on type of wood, moisture content, climate conditions and installation.

\*\* Varies depending on home floor plan, house layout, heat loss of the house and quality/moisture content of wood.



Hampton HI200 wood Insert in metallic black finish.

BURN TIME  
up to  
**8 HOURS\***

## STANDARD FEATURES

- EPA Certified
- Non-catalytic technology
- Single rod draft control
- Airwash system
- Brick-lined firebox
- Cast iron door with oak handle
- Cast grille (HI200)
- Ceramic glass
- Burn time: up to 8 hrs\*
- 6" flue

## OPTIONS

- Black or timberline brown enamel finish
- 2 speed blower
- Faceplates in two sizes (HI300)
- Cast grille (HI300)
- Power outlet conversion (HI300)
- Standard or offset flue adaptor (HI200)
- Stainless steel liner kit
- Flue connectors
- Wrap insulation kits



HI300 with oversize faceplate in black finish.

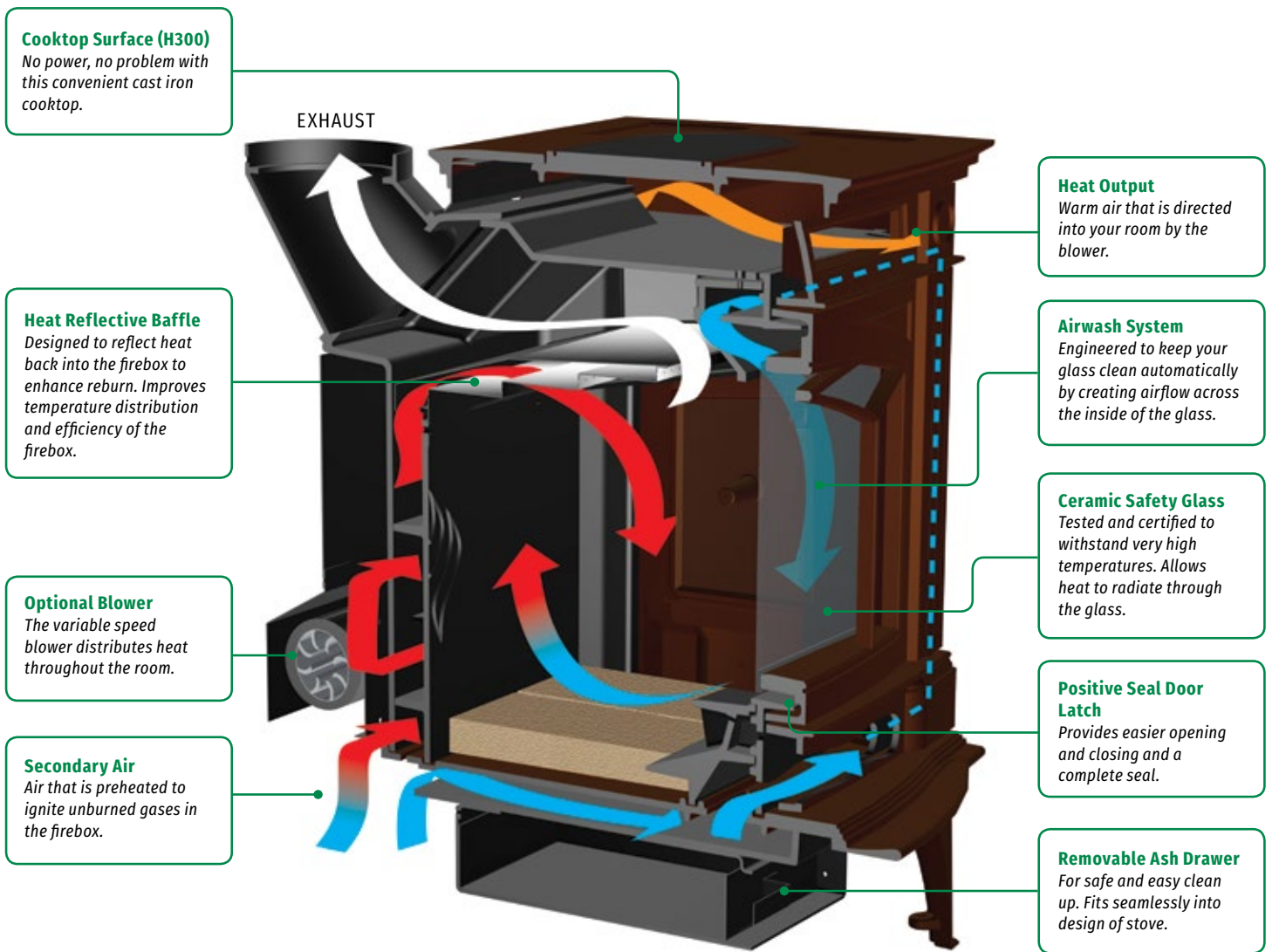


HI200 in timberline brown enamel finish.

# HAMPTON® WOOD PRODUCTS

## HOW DOES **NON-CATALYTIC "2-STAGE BURN" TECHNOLOGY** WORK?

The airflow in the firebox is directed in such a way that fuel is burned in 2 stages. Once during initial combustion, and again when smoke is re-burned. This 2-stage burn creates greater efficiency, a spectacular fire to look at and results in cleaner emissions. By combining non-catalytic technology with durable construction, Regency builds wood fireplaces that are guaranteed to last.

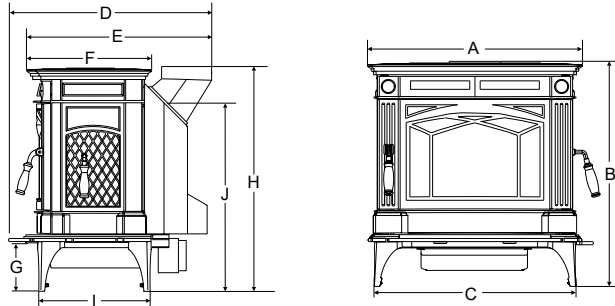


\*Not shown in diagram

**Single Rod Draft Control**  
Simple and easy to control heat output and size of fire.

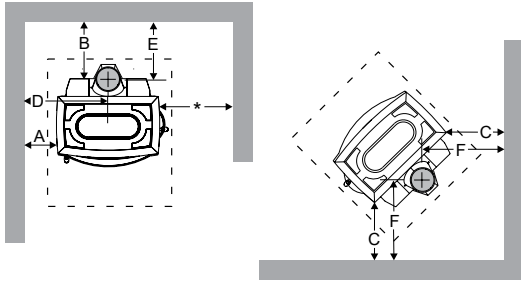
# HAMPTON® WOOD PRODUCTS

## WOOD STOVES



DIMENSIONS	H200	H300
A	23-7/8"	27"
B	27-5/8"	29-3/4"
B (short legs)	22-5/8"	24-3/8"
C	22-1/8"	25-1/2"
D	25-1/8"	26"
E	21"	24"
F	16"	16-1/8"
G	7-1/8"	7-1/8"
H	28-3/4"	30-1/4"
H (short legs)	23-3/4"	24-3/4"
I	15"	15"
J*	25-7/8"	27-1/4"
J* (short legs)	21"	22-1/8"

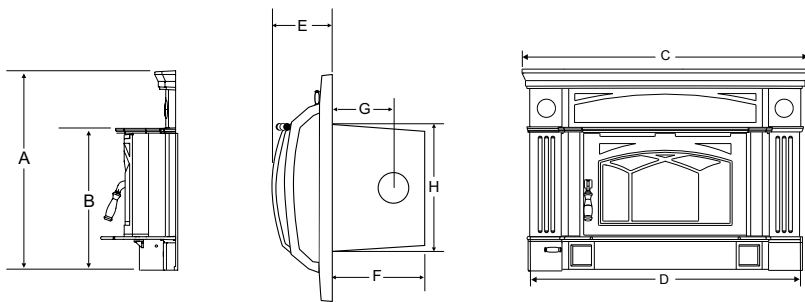
\* to center line if rear vented.



MINIMUM CLEARANCE TO COMBUSTIBLES		A	B	C	D	E	F
H200	Residential Installation "C" Vent	17"	15"	13"	29"	17-1/8"	19-7/8"
	Residential Close Clearance	15"	10"	9"	27"	12-1/8"	15-7/8"
	Mobile Home Close Clearance	15"	10"	9"	27"	12-1/8"	15-7/8"
H300	Residential Installation "C" Vent	17"	15"	13"	30"	15"	19"
	Residential Close Clearance	15"	10"	9"	28"	10"	15"
	Mobile Home Close Clearance	15"	10"	9"	28"	10"	15"

NOTE: In Canada floor protection must extend 18" to the front and 8" to the sides and back. With side load door floor protection must extend 18" to the side. In US same as above except floor protection extends 6" to sides and back.  
\*Minimum clearance with side load door is 18" to side wall. Refer to dimension (B) for clearance without side load door.

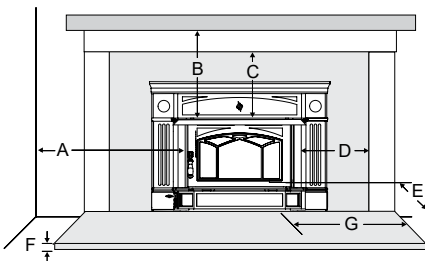
## WOOD INSERTS



DIMENSIONS	HI200	HI300	HI300 OVERSIZE
A	27-1/4"	30"	34-9/16"
B	19"	21-1/2"	21-1/2"
C	39-13/16"	42-1/2"	51-7/8"
D	38-5/16"	40"	48-1/8"
E	6-3/8"	11-3/8"	12-1/8"
F	15-1/16"	17-1/4"	16-1/2"
G (regular)	9-5/8"	11-1/8"	11-1/8"
G (offset adaptor)	14-1/8"	--	--
H	21-1/4"	23-3/4"	23-3/4"

### Masonry & Factory Built Fireplace Clearances

The minimum required clearances to combustible materials when installed into a masonry fireplace are:



	ADJACENT SIDE WALL (TO SIDE)	MANTEL (TO TOP)	TOP FACING (TO TOP)***	SIDE FACING (TO SIDE)***	MIN. HEARTH EXTENSION*	MIN. HEARTH THICKNESS*	MIN HEARTH SIDE EXTENSION**
	A	B	C	D	E	F	G
HI200	15"	20"	14"	7-3/8"	18" CA/16" US	1-1/2"	8" CA/6" US
HI300 (regular faceplate)	11"	20"	12"	8"	18" CA/16" US	1/2"	8"
HI300 (oversize faceplate)	11"	20"	14"	11"	18" CA/16" US	1/2"	8"

\* Note: If the hearth extension is flush with the floor (item F) it must extend 19.5 in. in front of the body face (item E).

\*\* Note: Hearth extension width (G) is measured from edge of fuel door to side of hearth.

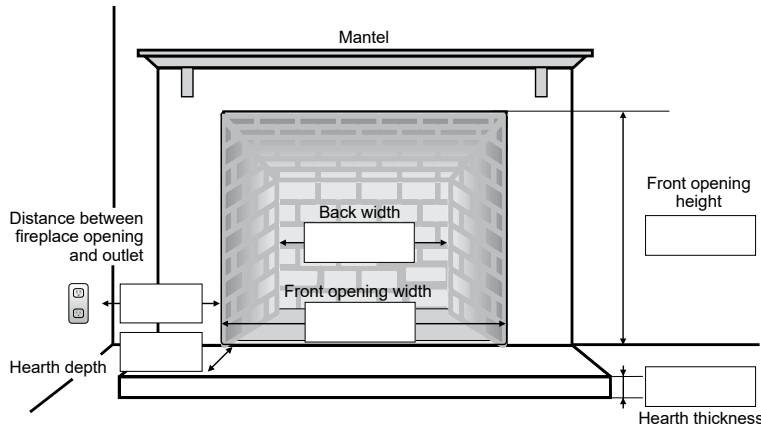
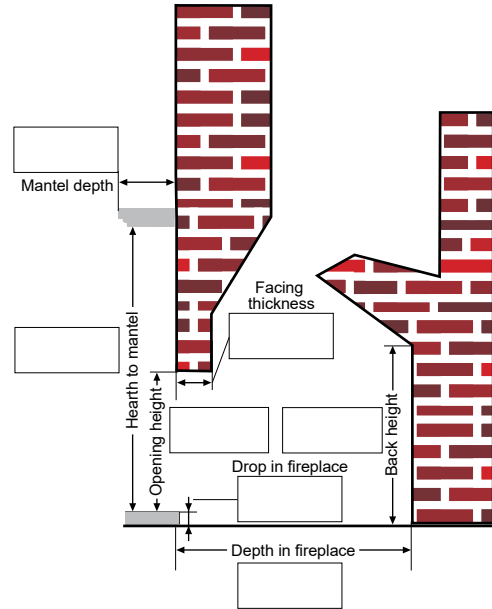
\*\*\* up to 1-1/2" thick

# FIREPLACE SELECTION WORKSHEET

We want you to enjoy your beautiful Hampton fireplace for years to come. To help you figure out which product is just right for your home, fill in the following worksheet. Once complete, visit your nearest Hampton dealer. Your professional dealer will assess your needs - including local building codes - and install your Hampton.

1. BASIC PRODUCT FUNCTION QUESTIONS	
a. I would like my unit to provide me with:	<input type="checkbox"/> Supplemental heating <input type="checkbox"/> Priority heating
b. The room/rooms I would like to heat are:	sq. ft.

2. FIREPLACE PRODUCT TYPE AND MEASUREMENTS	
a. I am:	<input type="checkbox"/> Installing a new fireplace <input type="checkbox"/> Installing into an existing fireplace
b. Fill in the following measurements:	Ceiling Height: _____
	Location in the room: _____
c. What is the:	Flooring material: _____
	Wall material: _____
	Ceiling material: _____
d. Fireplace opening dimensions:	Width (front): _____
	Width (back): _____
	Height: _____
	Depth: _____



[www.regency-fire.com](http://www.regency-fire.com)

© 2016 FPI Fireplace Products International Ltd. Regency, Hampton, Heat Wave, Heat Release, SureFire, AstroCap and FireGenie are registered or proprietary trademarks of FPI Fireplace Products International Ltd. All rights reserved. Printed in Canada (07/16) Part no. 944-235

your Regency dealer