



LRI6E shown with Regular Backing Plate, Vignette Faceplate in Black, Craftsman inlay in Tuscan Sunset and Rustic Brown Brick Panels.

## LIBERTY® RADIANT LARGE GAS INSERT | LRI6E



LRI6E shown with small backing plate and vignette faceplate in Tuscan Sunset



LRI6E shown with regular backing plate and vignette faceplate in Black



LRI6E shown with 4-sided regular backing plate and vignette faceplate in Platinum

### RADIANT CONVECTIVE HEAT

Liberty™ Radiant LRI6E and Horizon™ Radiant HRI6E large gas inserts provide both radiant and convective heat, and allow that heat to be moved effortlessly throughout the room with an included circulating fan. Get great looks and comforting warmth even during power outages with these quality inserts by Regency.

SPECIFICATIONS (NATURAL GAS)*	LRI6E	HRI6E
Input (BTU)	38,000	38,000
Turn down to (BTU)	25,000	30,000
EnerGuide Rating (Canada only)	73.72%	73.72%
Efficiency (steady state)	84%	84%

MINIMUM FIREPLACE OPENING		
Width (front)	34"	34"
Width (rear)	25"	25"
Height	24"	24"
Depth (without spacer)	19-1/2"	19-1/2"
Depth (with spacer)	16-3/4"	16-3/4"

\*For propane (LP) specs please see page 21.

## MAXIMIZING COMFORT AND EFFICIENCY

Regency Fireplace Inserts deliver controllable heat solutions combining the latest in radiant & convection heat technology and innovative features.

- ☑ Adjustable flame/heat control with Proflame or Maxitrol Remote Control
- ☑ Heat radiating ceramic glass for maximum radiant heat
- ☑ Safety screen
- ☑ Variable speed blower to distribute the heat into the farthest corners of your room
- ☑ **SureFire Electronic Ignition** switch with battery backup features a fuel saving intermittent pilot ignition conserving energy when not in use.
- ☑ **Power's Out, Heat's On.** Never worry about being cold during a power outage again! All Regency gas fireplaces operate without electricity. Enjoy peace of mind all winter long.

## REMOTE CONTROL - INCLUDED



Proflame Remote Control



Maxitrol Remote Control

Create optimal comfort with ease and convenience at the touch of a button with a Regency Remote Control. Our user friendly programmable controls can be set, adjusted and programmed for your fireplace to come on at the temperature you want when you want it.

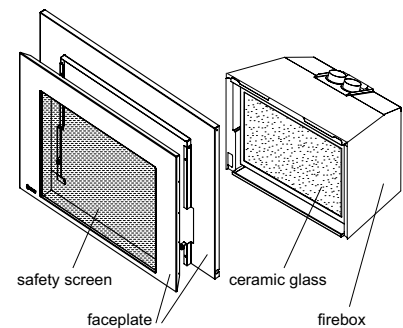
FEATURE	DESCRIPTION	PROFLAME REMOTES			MAXITROL
		GT	GTM	GTMF	
On/Off		✓	✓	✓	✓
Child lock		✓	✓	✓	·
LCD Backlit Screen		✓	✓	✓	·
Temperature display	°F / °C	✓	✓	✓	✓
Thermostat	one setting (all days)	✓	✓	✓	✓
Smart thermostat*		✓	✓	✓	·
Flame adjustment	(6 levels)	·	✓	✓	✓
Fan control	(6 levels)	·	·	✓	✓

*\*Smart Thermostat - Rather than a thermostat that simply turns your fireplace on and off, the Smart Control function allows you to set your desired room temperature and as the room reaches your personal setting the flame intensity and heat will gradually decrease - keeping the ambiance of your Regency fire on with less heat output with the option to turn off at any time.*

## SAFETY SCREEN - INCLUDED

Regency has integrated a custom designed safety screen into each faceplate design that meets or exceeds current North American safety legislation.

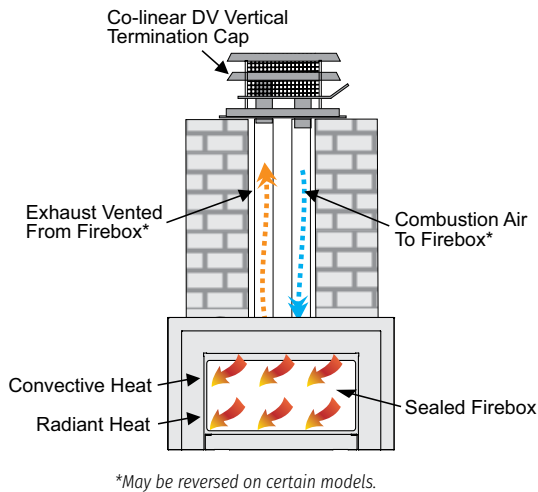
*\*Low profile faceplate shown*



## DIRECT VENT TECHNOLOGY

A Regency® Gas Insert is a specially engineered, sealed fireplace that slips into your existing masonry or pre-fab fireplace to create a high efficiency heating system with a beautiful fire. The airtight firebox means that you will keep all of the comforting heat generated from your Regency inside your home. Even when your fireplace is turned off, you will not lose heat up the chimney.

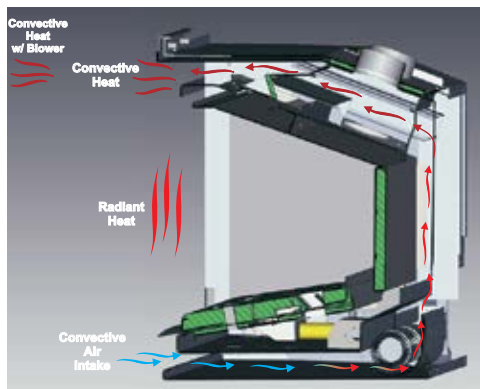
All the air used by the fireplace for combustion comes from outside the home and is vented to outside the home maintaining indoor air quality.



## SUREFIRE™ ELECTRONIC IGNITION

The SureFire system offers an electronic ignition system which saves you money by ensuring the pilot light is only turned on when the fireplace needs to be ignited. This Electronic Ignition System converts to Standing Pilot at the flick of a switch; making it ideal during the winter season if you live in a colder climate.

## SPREAD THE WARMTH



Blower

### EXTREME EFFICIENCY

The precision engineered heat exchanger systems dramatically increase the overall heating efficiency of these Regency gas inserts. The cold air from your room passes through the pre-heated heat exchanger system which is then re-distributed back into your room as comforting warm air (also known as convection heat).

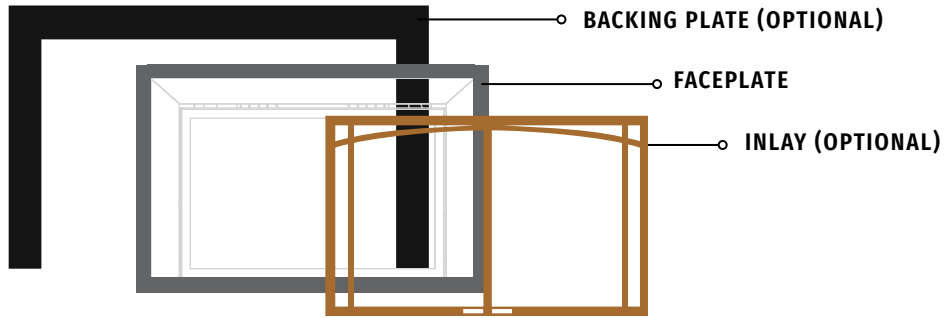
### INTENSE RADIANT HEAT

Not only do these gas inserts include the latest innovations in fireplace technology and efficiencies, they also generate a large amount of radiant heat from the flames and glow of the fire package. The heat from the fire radiates through the ceramic glass and transfers that warmth to you, providing the perfect combination of radiant and convective heat distribution.

### VARIABLE SPEED BLOWER TO MAXIMIZE EFFICIENCY

Regency blowers are a standard feature with all gas inserts. A blower will let you enjoy the warmth of your fireplace from any corner of your living space. Our quiet blowers increase the efficiency of your fireplace by pushing the heat produced by your fireplace forward and distributing it further and evenly into the room.

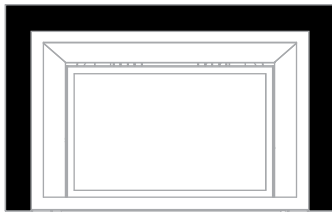
# BACKING PLATES, FACEPLATES & INLAYS



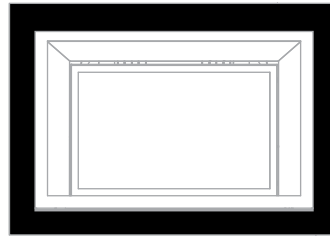
## BACKING PLATE OPTIONS\*



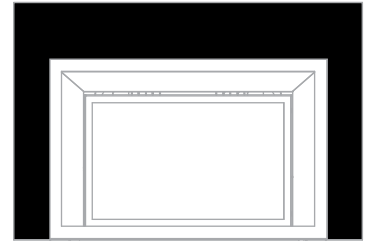
Small Backing Plate



Regular Backing Plate



4-sided Regular Backing Plate



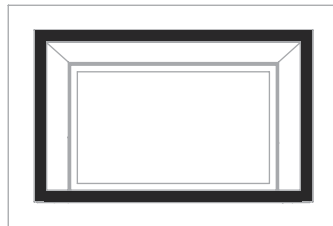
Oversized Backing Plate

\*Custom sizes also available

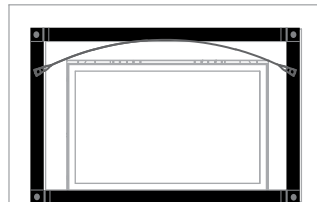
## FACEPLATE OPTIONS



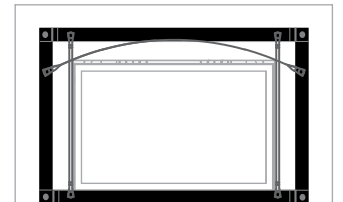
Vignette Faceplate



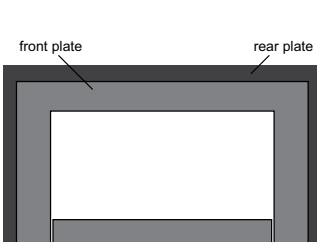
Vignette Faceplate (4-sided)



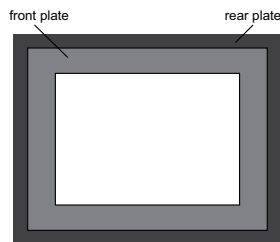
Georgian Rustic Vignette Faceplate



Tudor Rustic Vignette Faceplate



Low Profile Faceplate



Low Profile Faceplate (4-sided)

## FACEPLATE & INLAY FINISHES



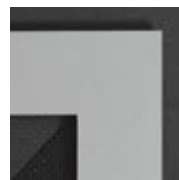
Black



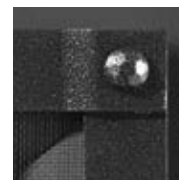
Black Chrome



Tuscan Sunset



Platinum  
(Not available for inlays)



Iron Grey  
(Only available for  
Georgian & Tudor  
Vignette Faceplates)

## INLAY OPTIONS



Vignette Door Inlay\*\*



Vignette Craftsman Inlay\*\*

\*\*LR13E/HR13E Inlay designs are not exactly as shown

# ACCESSORIES

ACCESSORIES - AT A GLANCE		LRI3E	HRI3E	LRI4E	HRI4E	LRI6E	HRI6E	E33	U31	U32	L234	E21	
Horizon firebed	Crystals in various colors	•	★	•	★	•	★	•	•	•	•	•	
	Firebeads in various colors	•	★	•	★	•	★	•	•	•	•	•	
	Ceramic spa stones	•	★	•	★	•	★	•	•	•	•	•	
	Volcanic stones	•	★	•	★	•	★	•	•	•	•	•	
	Driftwood log set (natural gas only on HRI4E & HRI6E)	•	★	•	★	•	★	•	•	•	•	•	
Vignette Faceplates	Vignette	Black	★	★	★	★	★	★	•	•	•	•	
		Black Chrome	★	★	★	★	★	★	•	•	•	•	
		Platinum	★	★	★	★	★	★	•	•	•	•	
		Tuscan Sunset	★	★	★	★	★	★	•	•	•	•	
	Vignette - 4 sided	Black	•	•	★	★	★	★	•	•	•	•	•
		Black Chrome	•	•	★	★	★	★	•	•	•	•	•
		Platinum	•	•	★	★	★	★	•	•	•	•	•
		Tuscan Sunset	•	•	★	★	★	★	•	•	•	•	•
	Rustic Vignette	Georgian	Black	★	★	★	★	★	•	•	•	•	•
			Iron Grey	★	★	★	★	★	★	•	•	•	•
		Tudor	Black	★	★	★	★	★	★	•	•	•	•
			Iron Grey	★	★	★	★	★	★	•	•	•	•
Vignette inlays	Door inlay	Black	★	★	★	•	★	•	★	•	•	•	
		Black Chrome	★	★	★	•	★	•	★	•	•	•	
		Tuscan Sunset	★	★	★	•	★	•	★	•	•	•	
	Craftsman inlay	Black	★	★	★	•	★	•	•	•	•	•	
		Black Chrome	★	★	★	•	★	•	•	•	•	•	
		Tuscan Sunset	★	★	★	•	★	•	•	•	•	•	
Low profile Faceplates	Low profile - 3 sided	Black	•	•	•	•	•	★	★	★	★	★	
		Sunset Bronze	•	•	•	•	•	•	•	•	•	•	
	Low profile - 3 sided - oversize	Black	•	•	•	•	•	•	•	•	•	•	
		Sunset Bronze	•	•	•	•	•	•	•	•	•	•	
	Low profile - 3 sided - custom	Black	•	•	•	•	•	★	★	★	★	★	
	Low profile - 4 sided - custom	Black	•	•	•	•	•	•	•	•	•	•	
Contour faceplate	Black	•	•	•	•	•	•	★	•	•	•		
Louvers	Black	•	•	•	•	•	•	★	•	•	•		
Inner Panels	Bricks	Rustic Brown	★	•	★	•	★	•	★	★	★	★	
		Old Town Red	★	•	★	•	★	•	★	★	★	★	
		Volcanic Black	★	•	★	•	★	•	•	•	•	•	
	Reflective	Black enamel	★	★	★	★	★	★	•	•	•	•	
Safety Screen		✓	✓	✓	✓	✓	✓	✓	✓	✓	✓		
Spacer		•	•	★	★	★	★	✓	-	✓	✓	✓	
Hearth Trim (for sizes see page 19)		★	★	★	★	★	★	★	★	★	★	★	
Variable speed blower		✓	✓	✓	✓	✓	✓	✓	✓	✓	✓	✓	
Wall Thermostat		•	•	★	★	★	★	★	★	★	★	★	
Remote Control	Proflame GT	•	•	•	•	•	•	•	✓	•	•	•	
	Proflame GTM	•	•	•	•	•	•	✓	★	✓	✓	✓	
	Proflame GTMF	•	•	✓	✓	✓	✓	•	•	•	•	•	
	Maxitrol	✓	✓	•	•	•	•	•	•	•	•	•	
Turn down flame modulator		✓	✓	✓	✓	✓	✓	✓	✓	✓	✓		
Direct Vent		✓	✓	✓	✓	✓	✓	•	✓	✓	-		
B-Vent		•	•	•	•	•	•	•	✓	•	•	✓	
Surefire Electronic Ignition		•	•	✓	✓	✓	✓	•	•	•	•		
Propane conversion kit		★	★	★	★	★	★	★	★	★	★	★	

- Not available
- ✓ Standard
- ★ Optional

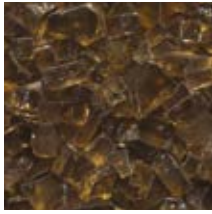
NOTE: All product specifications are subject to change without notice. Before installing refer to the relevant product manual for full and up to date information.

# FINISHING OPTIONS

## CRYSTALS & FIREBEADS



*Crystals - Black*



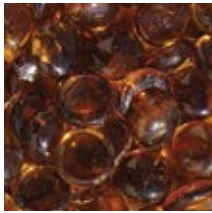
*Crystals - Copper*



*Crystals - Starfire*



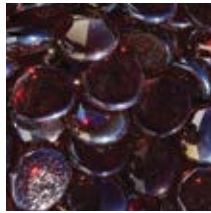
*Firebeads - Black*



*Firebeads - Caramel Luster*



*Firebeads - Glacier Ice*



*Firebeads - Sangria Luster*

## STONES & LOGS



*Volcanic Stones - Gray*



*Volcanic Stones - Tan*



*Ceramic Spa Stones*



*Natural River Pebbles*



*Driftwood Ceramic Log Set*

## INNER PANELS



*Reflective Black Enamel Panels*



*Standard - Rustic Brown*



*Standard - Old Town Red*



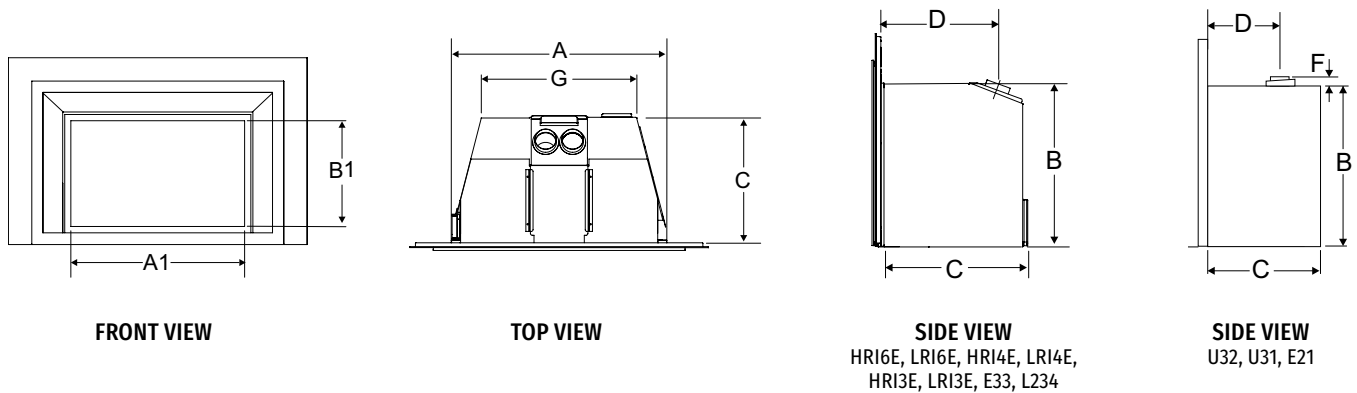
*Standard - Volcanic Black*

# SPECIFICATIONS & DIMENSIONS

## SPECIFICATIONS (PROPANE)

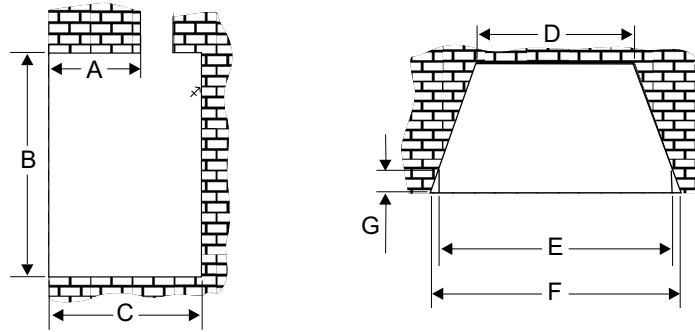
SPECIFICATIONS (PROPANE)	HRI6E	LRI6E	HRI4E	LRI4E	HRI3E	LRI3E	E33	U32	U31	E21	L234
Input (BTU)	38,000	38,000	31,000	31,000	21,000	21,000	35,500	30,000	28,000	22,500	21,500
Turn down to (BTU)	30,000	30,000	26,000	26,000	10,500	10,500	19,000	15,000	22,000	11,250	11,000
EnerGuide Rating (Canada only)	75.69%	75.69%	70.10%	75.30%	65.11%	66.28%	61.52%	57.17%	48.07%	53.48%	64.50%
Efficiency (steady state)	84%	84%	84%	84%	72.1%	73.24%	84%	77%	77%	78%	74%

## DIMENSIONS



DIMENSIONS	A	B	A1	B1	C	D	F	G
HRI6E	33-15/16"	23-7/8"	28-3/16"	18-5/16"	19-3/8"	12-7/8"	-	24-1/2"
LRI6E	33-15/16"	23-7/8"	28-3/16"	18-5/16"	19-3/8"	12-7/8"	-	24-1/2"
HRI4E	30"	20"	24-3/16"	14-3/4"	15-3/4"	14-7/16"	-	21-11/16"
LRI4E	30"	20"	24-3/16"	14-3/4"	15-3/4"	14-7/16"	-	21-11/16"
HRI3E	28"	19"	22-11/16"	14-1/4"	14"	10-3/8"	-	21-1/4"
LRI3E	28"	19"	22-11/16"	14-1/4"	14"	10-3/8"	-	21-1/4"
E33	32-1/4"	23-3/4"	30-3/8"	14-7/8"	16-1/4"	11-1/16"	-	24-1/2"
U32	26-1/4"	20"	24-1/4"	11-3/8"	13-5/16"	10-5/16"	1-1/16"	22-5/16"
U31	27-7/8"	20-1/4"	24-1/2"	12-5/8"	15"	10-1/8"	5/8"	22-1/2"
E21	26"	17-1/2"	24-1/2"	10-7/8"	13-1/4"	10-3/4"	1"	17-1/2"
L234	24-3/4"	16-7/8"	17-3/4"	12-1/2"	13"	11-3/4"	-	14-3/4"

# SPECIFICATIONS



MINIMUM FIREPLACE OPENINGS		A	B	C	D	E	F	G
HRI6E	Vignette faceplate	12-1/2"	24"	19-1/2"	25"	34"	37"	4-3/4"
	Vignette faceplate & spacer	10"	24"	16-3/4"	25"	34"	35-3/8"	2-1/4"
LRI6E	Vignette faceplate	12-1/2"	24"	19-1/2"	25"	34"	37"	4-3/4"
	Vignette faceplate & spacer	10"	24"	16-3/4"	25"	34"	35-3/8"	2-1/4"
HRI4E	Vignette faceplate	10"	20"	18"	22"	30"	35-5/8"	4-3/8"
	Vignette faceplate & spacer	12-1/4"	20"	15-3/4"	22"	30"	31-1/4"	2-1/8"
LRI4E	Vignette faceplate	10"	20"	18"	22"	30"	35-5/8"	4-3/8"
	Vignette faceplate & spacer	12-1/4"	20"	15-3/4"	22"	30"	31-1/4"	2-1/8"
HRI3E	Vignette faceplate	8-5/8"	19-1/2"	14-1/2"	21-5/8"	28-1/2"	31-1/8"	4"
LRI3E	Vignette faceplate	8-5/8"	19-1/2"	14-1/2"	21-5/8"	28-1/2"	31-1/8"	4"
E33	Low profile faceplate	9-1/4"	25-1/2"	18"	25"	32-1/4"	32-1/4"	N/A
	Low profile faceplate & spacer	8"	24-3/16"	16-3/4"	25"	32-1/4"	32-1/4"	N/A
U32	Low profile faceplate	9-3/4"	22"	15-5/8"	22-1/2"	29-3/4"	29-3/4"	N/A
	Low profile faceplate & spacer	8-1/8"	22"	14"	22-1/2"	26-1/2"	26-1/2"	N/A
U31	Low profile faceplate	8-1/8"	22"	14"	22-1/2"	26-1/2"	26-1/2"	N/A
E21	low profile faceplate	9-1/2"	18-5/8"	17"	18"	23-3/8"	23-3/4"	3/4"
L234	low profile faceplate	N/A	17"	14"	16"	25"	25"	N/A

A - Max. lintel bar depth  
G - Front depth to taper

BACKING PLATE	HRI6E		LRI6E		HRI4E		LRI4E		HRI3E		LRI3E	
	WIDTH	HEIGHT	WIDTH	HEIGHT	WIDTH	HEIGHT	WIDTH	HEIGHT	WIDTH	HEIGHT	WIDTH	HEIGHT
Small	41"	27-3/4"	41"	27-3/4"	37-1/8"	23-5/8"	37-1/8"	23-5/8"	31-1/4"	23-11/32"	31-1/4"	23-11/32"
Regular (3-sided)	47-3/8"	30-1/2"	47-3/8"	30-1/2"	41-5/8"	26"	41-5/8"	26"	35-3/4"	25-5/8"	35-3/4"	25-5/8"
Regular (4-sided)	47-3/8"	34-1/8"	47-3/8"	34-1/8"	41-5/8"	29-1/4"	41-9/16"	29-1/4"	35-3/4"	28-5/8"	35-3/4"	28-5/8"
Oversized	48-3/8"	33"	48-3/8"	33"	44"	30"	44"	30"	38-3/16"	29-5/8"	38-3/16"	29-5/8"
Custom backing plate	custom order only											



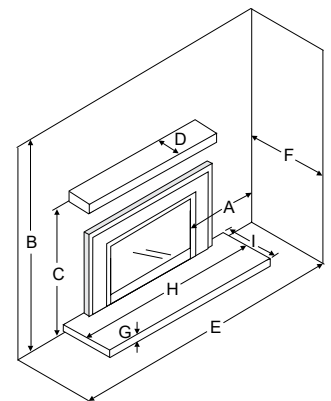
FACEPLATES	HRI6E		LRI6E		HRI4E		LRI4E		HRI3E		LRI3E	
	WIDTH	HEIGHT	WIDTH	HEIGHT	WIDTH	HEIGHT	WIDTH	HEIGHT	WIDTH	HEIGHT	WIDTH	HEIGHT
Vignette and Rustic Vignette	40-1/16"	26-13/16"	40-1/16"	26-13/16"	35-1/16"	22-11/16"	35-1/16"	22-11/16"	29-1/4"	22-1/8"	29-1/4"	22-1/8"
Vignette Spacer	39-15/16"	26-3/4"	39-15/16"	26-3/4"	34-13/16"	22-5/8"	34-13/16"	22-5/8"	--	--	--	--
Hearth Trim - sizes	Please see manual for details											

FACEPLATES		E33		U32/U31		E21		L234	
		WIDTH	HEIGHT	WIDTH	HEIGHT	WIDTH	HEIGHT	WIDTH	HEIGHT
Vignette (3-sided)		46-1/2"	28-3/4"	--	--	--	--	--	--
Vignette (4-sided)		46-1/2"	30-7/8"	--	--	--	--	--	--
Custom faceplate (3-sided Vignette only)		custom order only		--	--	--	--	--	--
Spacer (3-sided Vignette only)		45"	28"	--	--	--	--	--	--
Low profile (3-sided)	front plate	42-1/2"	26-3/4"	35-15/16"	21-1/2"	35-3/8"	20"	29-1/8"	21"
	rear plate	46-1/2"	28-11/16"	40-3/4"	23-7/8"	40-1/8"	22-11/16"	32-7/8"	22-7/8"
Low profile (3-sided oversize)	front plate	42-1/2"	26-3/4"	36"	21-1/2"	35-5/8"	20"	--	--
	rear plate	49-9/16"	33-1/8"	44-1/8"	28-1/8"	44-1/8"	25-3/4"	--	--
Low profile (3-sided) custom	rear plate	custom order only							
Low profile (4-sided) custom	rear plate	custom order only							
Hearth Trim - sizes		Please see manual for details							

MINIMUM CLEARANCE TO COMBUSTIBLES		HRI6E	LRI6E	HRI4E	LRI4E	HRI3E	LRI3E	E33	U32	U31	E21	L234
A	Side Wall	12"	12"	6"	6"	6"	6"	8"	10"	10"	9"	8"
B	Ceiling	60"	60"	60"	60"	60"	60"	72"	67-1/2"	66-1/2"	53-1/2"	73"
C	Mantel Height (min.)	40"	40"	35"	35"	38"	38"	40"	33"	32-1/2"	31-1/2"	38"
	(with optional deflector)	36"	36"	32"	32"	28"	28"	N/A	N/A	N/A	N/A	N/A
D	Mantel Depth (min.)	2"	2"	1"	1"	1"	1"	3-1/2"	3-1/2"	3-1/2"	3-1/2"	1"
	(with optional deflector)	1"	1"	1"	1"	1"	1"	N/A	N/A	N/A	N/A	N/A
E	Alcove Width	56"	56"	54"	54"	54"	54"	76"	48"	48"	48"	60"
F	Max. Alcove Depth	36"	36"	36"	36"	36"	36"	36"	36"	36"	36"	36"

NON-COMBUSTIBLE HEARTH REQUIREMENT		HRI6E	LRI6E	HRI4E	LRI4E	HRI3E	LRI3E	E33	U32	U31	E21	L234
G	Hearth Height	1-3/8"	1-3/8"	1/2"	1/2"	0"	0"	1-1/4"	0"	0"	0"	1-1/2"
H	Hearth Width	44"	44"	40"	40"	36"	36"	45-1/2"	0"	0"	0"	28"
I	Hearth Depth	14"	14"	14"	14"	12"	12"	13"	0"	0"	0"	12"

Note: Before installing please refer to the product manual.

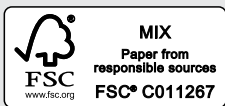
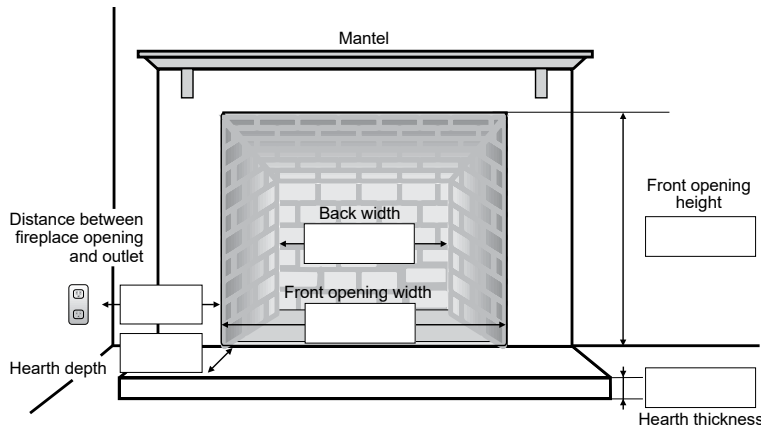
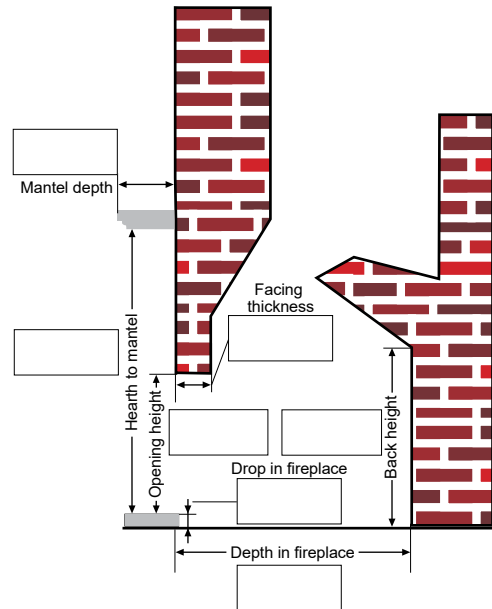


# FIREPLACE SELECTION WORKSHEET

We want you to enjoy your beautiful Regency fireplace for years to come. To help you figure out which product is just right for your home, fill in the following worksheet. Once complete, visit your nearest Regency dealer. Your professional Regency dealer will assess your needs - including local building codes - and install your Regency.

1. BASIC PRODUCT FUNCTION QUESTIONS	
a. I would like my unit to provide me with:	<input type="checkbox"/> Supplemental heating <input type="checkbox"/> Priority heating
b. The room/rooms I would like to heat are:	sq. ft.

2. FIREPLACE PRODUCT TYPE AND MEASUREMENTS	
a. I am:	<input type="checkbox"/> Installing a new fireplace <input type="checkbox"/> Installing into an existing fireplace
b. Fill in the following measurements:	Ceiling Height: _____
	Location in the room: _____
c. What is the:	Flooring material: _____
	Wall material: _____
	Ceiling material: _____
d. Fireplace opening dimensions:	Width (front): _____
	Width (back): _____
	Height: _____
	Depth: _____



[www.regency-fire.com](http://www.regency-fire.com)

© 2016 FPI Fireplace Products International Ltd. Regency, Liberty, Regency Horizon and Surefire are registered or proprietary trademarks of FPI Fireplace Products International Ltd. All rights reserved.  
 Printed in Canada (09/16)  
 Part no. 944-072

your Regency dealer