



FENCING
**IP - PROPERTY
 WITH SECURITY
 PAPER**

SECUFENCE

The TAGIT Secufence System is manufactured using high quality materials. Using its patented 3D detection with three coils each and an installation distance of up to 120cm it produces the highest level detection in all three label orientations.

This system is designed for the protection of confidential documents with TAGIT Security Paper at high-tech companies and government institutions.

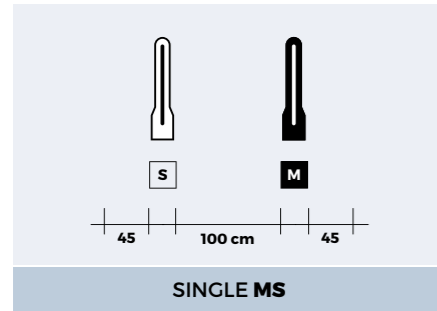
- » SUPERIOR 3D DETECTION ©
- » DETECTS LABELS ON METAL
- » UNIVERSAL COMPABILITY WITH EM PERIPHERALS
- » DIGITAL SIGNAL PROCESSING
- » ALARM CAN TRIGGER CAMERA

SECUFENCE | TAGIT 3D EM ANTENNA

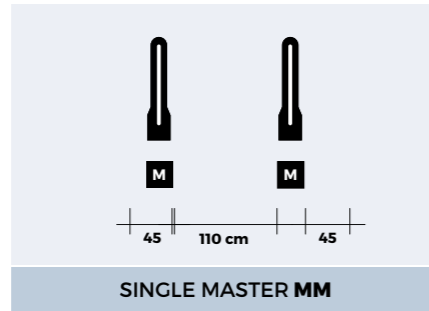
Dimensions	height: 175 cm 69 inch width: 81 cm 32 inch base thickness: 10 cm 4 inch
Voltage	100 V — 240 Vac; 50/60Hz; grounded
Power Consumption	max. 180VA per antenna
TX Frequency	ca. 200 Hz
Weight Antenna	37,6 kg
Alarm	visual / audio signal optional (NO/NC Relay output) programmable sound and light alarm sequences



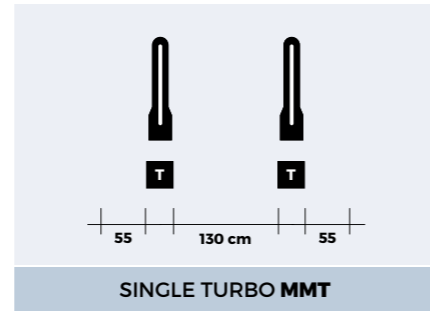
SYSTEM CONFIGURATIONS



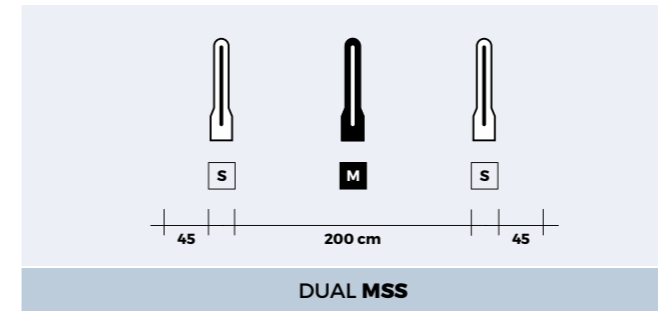
Used in normal noise conditions. One system with two antennas. The protected area is up to 100 cm between the antennas, plus 45cm outside the antennas.



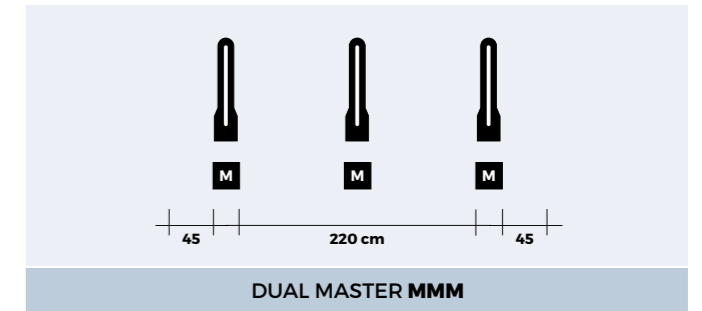
Recommended for medium noise level conditions. One system with two antennas working independently. The protected area is up to 110cm between the antennas, plus 45cm outside the antennas.



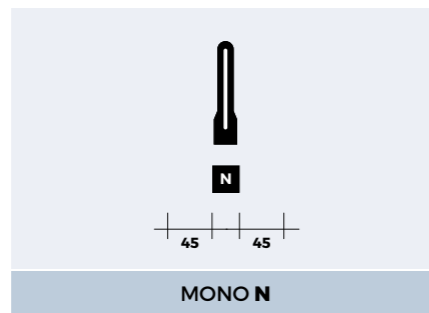
Ideal for high noise level conditions. One system with two antennas working independently, using double DSP in each master antenna. The protected area is up to 130cm between the antennas, plus 55cm outside the antennas.



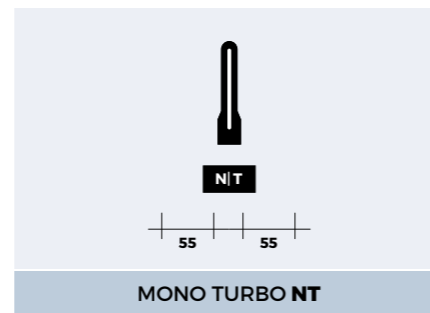
Used in normal noise level conditions. One system with three antennas. The protected area is up to 200cm between the antennas, plus 45cm outside the antennas.



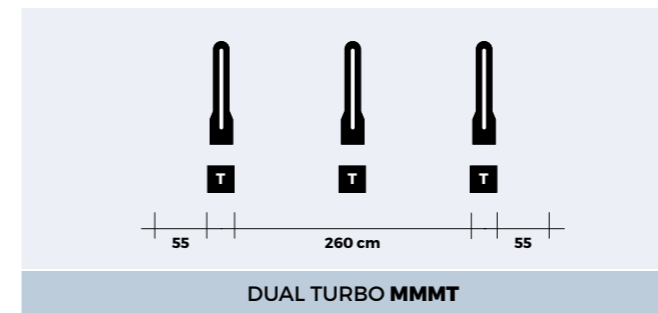
Recommended for medium noise level conditions. One system with three antennas uses two power supplies. Precise identification in which area the detection takes place. The protected area is up to 220cm between the antennas, plus 45cm outside the antennas..



Recommended for medium noise level conditions. One system works independently. The protected area is up to 2x 45cm. Used as an extension for existing configurations.



Ideal for high noise level conditions. One system with a double DSP working independently. The protected area is up to 2x 55cm. Used as an extension for existing configurations.



Ideal for high noise level conditions. One system with three antennas uses two power supplies and double DSP in each master antenna. Precise identification in which area the detection takes place. The protected area is up to 260cm between the antennas, plus 55cm outside the antennas..

SINGLE AISLE SYSTEM

	MS	MM	MMT	NN	NNT
Detection Range cm / inch	100 / 39	110 / 43	130 / 51	110 / 43	260 / 102
Power Supply	1	1	1	—	—
Power Supply for 110V countries	1	1	1	—	—
AC/DC adaptor	—	—	—	2	2
Slave Antenna	1	—	—	—	—
Master Antenna	1	2	—	2	—
Master Turbo	—	—	2	—	2

DUAL AISLE SYSTEM

	MSS	MMM	MMMT	NNN	NNNT
Detection Range cm / inch	200 / 79	220 / 87	260 / 102	220 / 87	260 / 102
Power Supply	1	1	2	—	—
Power Supply for 110V countries	2	2	2	—	—
AC/DC adaptor	—	—	—	3	3
Slave Antenna	2	—	—	—	—
Master Antenna	1	3	—	3	—
Master Turbo	—	—	3	—	3