



UNIQUE LOOK
EXEPTIONAL
PERFORMANCE

PREMIUM

The TAGIT Premium System is manufactured using high quality holo-wed-out acrylic material. It has a translucent & glittery look, being highly resistant to wearing. Using its patented 3D detection and an installation distance of up to 110cm it produces high level detection in all three label orientations. The installation distance depends on the configuration and the on site electrical noise level. Designed for exit protection of the global high-end cosmetic stores, libraries, archives, book stores and pharmacies exported across the world.

- » SUPERIOR 3D DETECTION ©
- » DETECTS LABELS ON METAL
- » DETECTS LABELS COVERED IN ALUMINUM FOIL
- » DIGITAL SIGNAL PROCESSING
- » ALARM CAN TRIGGER CAMERA
- » DESIGN MEETS HIGH QUALITY REQUIREMENTS

PREMIUM | TAGIT 3D EM ANTENNA

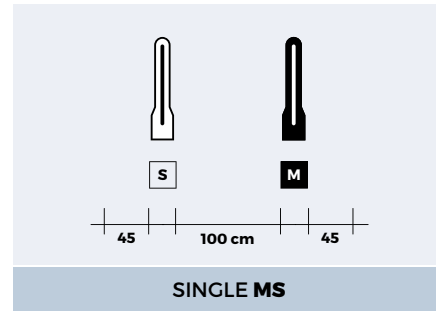
Dimensions	height: 161 cm 63 inch width: 67 cm 26 inch base thickness: 9 cm 3.5 inch
Voltage	100 V — 240 Vac; 50/60Hz; grounded
Power Consumption	max. 130VA per antenna
TX Frequency	ca. 200 Hz
Weight Master Antenna	41 kg
Weight Slave Antenna	40.8 kg
Power supply	6 kg
Alarm	visual / audio signal optional (NO/NC Relay output) programmable sound and light alarm sequences



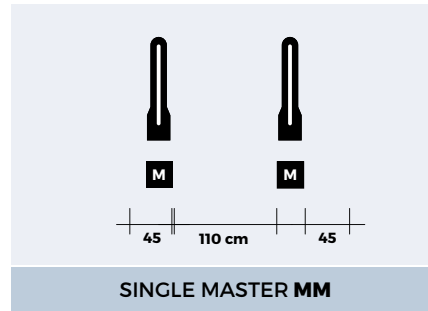
The power supply unit is used for single and dual aisle systems. Three antennas can be supplied by one PSU, if the power line is 230V.



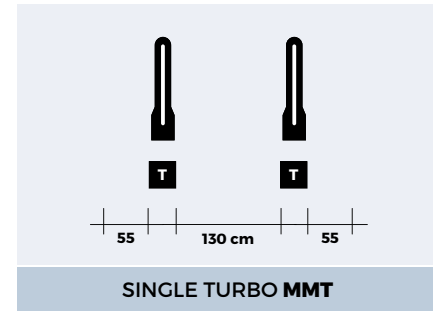
SYSTEM CONFIGURATIONS



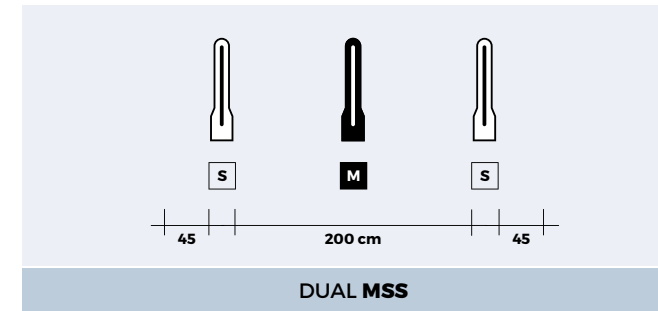
Used in normal noise conditions. One system with two antennas. The protected area is up to 100 cm between the antennas, plus 45cm outside the antennas.



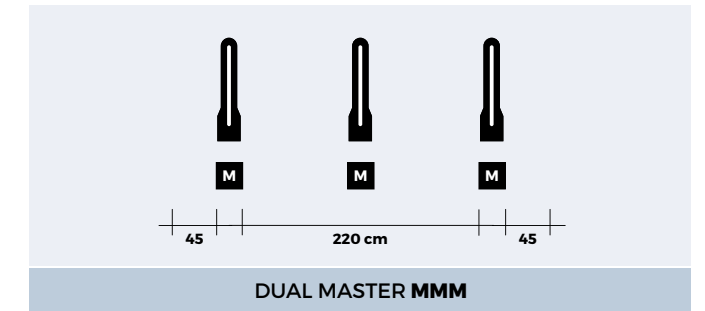
Recommended for medium noise level conditions. One system with two antennas working independently. The protected area is up to 110cm between the antennas, plus 45cm outside the antennas.



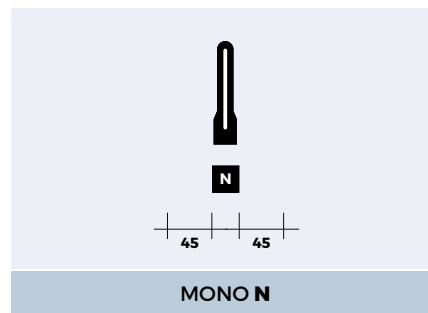
Ideal for high noise level conditions. One system with two antennas working independently, using double DSP in each master antenna. The protected area is up to 130cm between the antennas, plus 55cm outside the antennas.



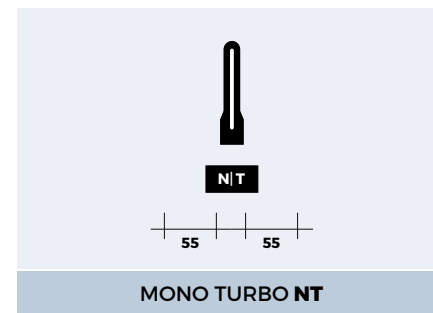
Used in normal noise level conditions. One system with three antennas. The protected area is up to 200cm between the antennas, plus 45cm outside the antennas.



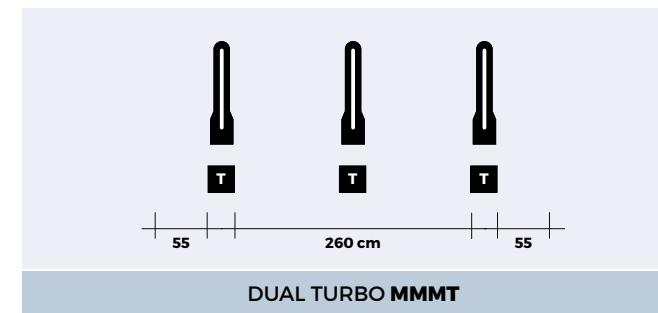
Recommended for medium noise level conditions. One system with three antennas uses two power supplies. Precise identification in which area the detection takes place. The protected area is up to 220cm between the antennas, plus 45cm outside the antennas..



Recommended for medium noise level conditions. One system works independently. The protected area is up to 2x 45cm. Used as an extension for existing configurations.



Ideal for high noise level conditions. One system with a double DSP working independently. The protected area is up to 2x 55cm. Used as an extension for existing configurations.



Ideal for high noise level conditions. One system with three antennas uses two power supplies and double DSP in each master antenna. Precise identification in which area the detection takes place. The protected area is up to 260cm between the antennas, plus 55cm outside the antennas..

SINGLE AISLE SYSTEM

	MS	MM	MMT	NN	NNT
Detection Range cm / inch	100 / 39	110 / 43	130 / 51	110 / 43	260 / 102
Power Supply	1	1	1	—	—
Power Supply for 110V countries	1	1	1	—	—
AC/DC adaptor	—	—	—	2	2
Slave Antenna	1	—	—	—	—
Master Antenna	1	2	—	2	—
Master Turbo	—	—	2	—	2

DUAL AISLE SYSTEM

	MSS	MMM	MMMT	NNN	NNNT
Detection Range cm / inch	200 / 79	220 / 87	260 / 102	220 / 87	260 / 102
Power Supply	1	1	2	—	—
Power Supply for 110V countries	2	2	2	—	—
AC/DC adaptor	—	—	—	3	3
Slave Antenna	2	—	—	—	—
Master Antenna	1	3	—	3	—
Master Turbo	—	—	3	—	3