

UPLIFT PROTECTION IN LIBRARIES

UPLIFT 180

Tagit™ library security systems are now widely considered to be the international market leader for prestige libraries and learning centers where high quality security systems with exceptional performance and elegant contemporary design are required.

Equipped with the latest Tagit™ patented three axis detection technology, Eureka and Premium give peerless tag detection performance in all three book and tag orientations.

Complete with integral audible and visual alarms, the sophisticated control system provides you with all the options for selecting the perfect alarm duration and security tag type match etc. to suit your library's needs.

- » SUPERIOR 3D DETECTION ©
- » DETECTS LABELS ON METAL
- » UNIVERSAL COMPABILITY WITH EM PERIPHERALS
- » DIGITAL SIGNAL PROCESSING
- » ALARM CAN TRIGGER CAMERA

UPLIFT 180 | TAGIT 3D EM ANTENNA

Dimensions	height: 175 cm 69 inch width: 64 cm 25 inch base thickness: 9 cm 3,5 inch
Voltage	100 V — 240 Vac; 50/60Hz; grounded
Power Consumption	max. 130VA per antenna
TX Frequency	ca. 200 Hz
Weight Master Antenna	29 kg
Weight Slave Antenna	28,8 kg
Alarm	visual / audio signal optional (NO/NC Relay output) programmable sound and light alarm sequences

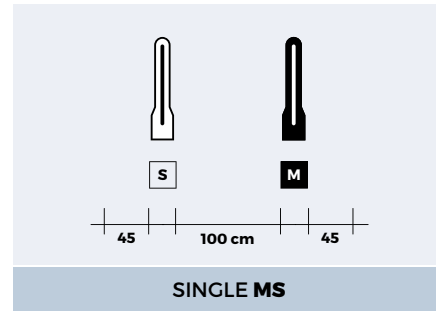
Single width doorways (90cm) are protected by a two pedestal system, and double door exits secured by the three pedestal system. Wider exits can be protected by multiple pedestal systems to suit your requirements.

Quality extends to all the parts of the system that you cannot see, and that is why its reputation for minimal maintenance and trouble free operation has been so firmly established.

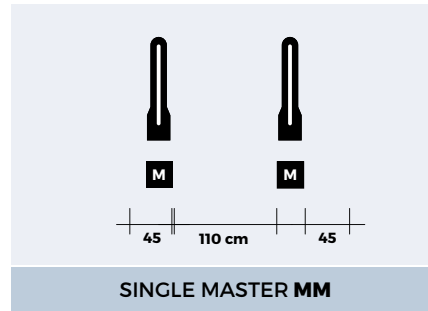
Capable of providing optimal detection with both, Harmonic and Barkhausen security tags, the Tagit™ EM system ensures that you will have complete compatibility with any library tail tags inherent in old stock, or transfers from other libraries.



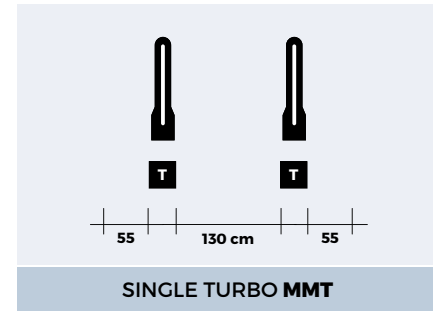
SYSTEM CONFIGURATIONS



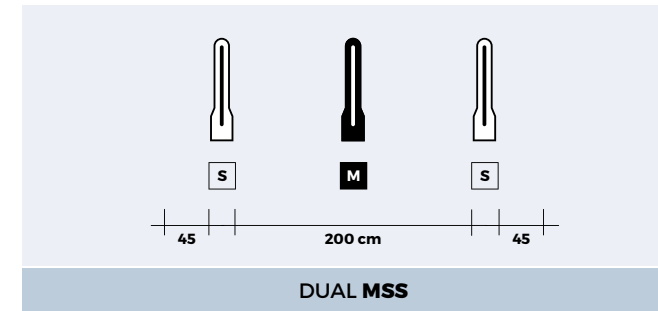
Used in normal noise conditions. One system with two antennas. The protected area is up to 100 cm between the antennas, plus 45cm outside the antennas.



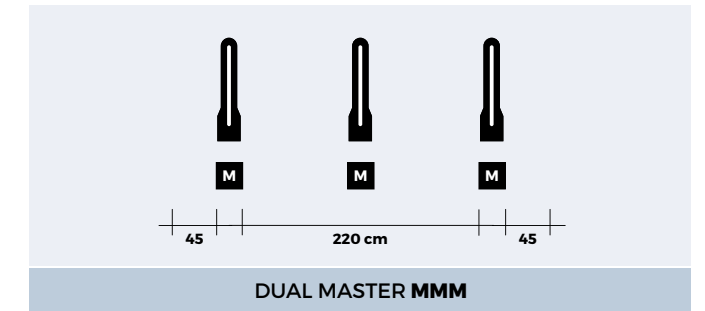
Recommended for medium noise level conditions. One system with two antennas working independently. The protected area is up to 110cm between the antennas, plus 45cm outside the antennas.



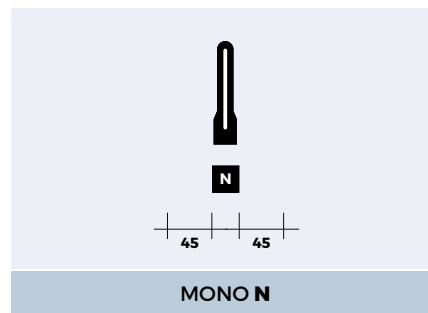
Ideal for high noise level conditions. One system with two antennas working independently, using double DSP in each master antenna. The protected area is up to 130cm between the antennas, plus 55cm outside the antennas.



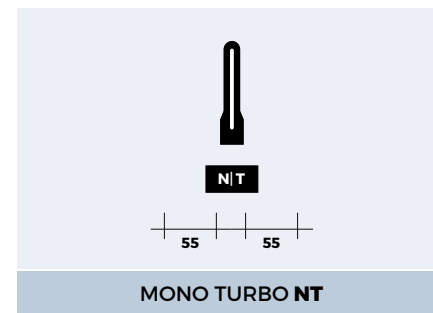
Used in normal noise level conditions. One system with three antennas. The protected area is up to 200cm between the antennas, plus 45cm outside the antennas.



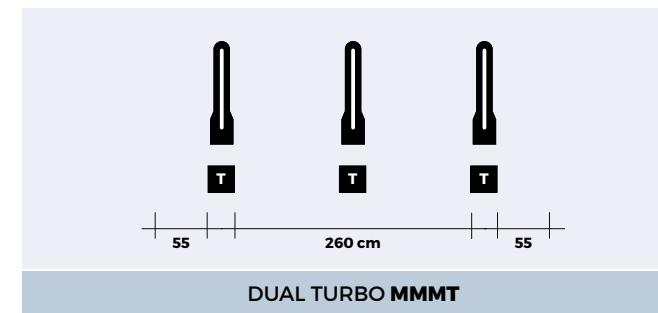
Recommended for medium noise level conditions. One system with three antennas uses two power supplies. Precise identification in which area the detection takes place. The protected area is up to 220cm between the antennas, plus 45cm outside the antennas..



Recommended for medium noise level conditions. One system works independently. The protected area is up to 2x 45cm. Used as an extension for existing configurations.



Ideal for high noise level conditions. One system with a double DSP working independently. The protected area is up to 2x 55cm. Used as an extension for existing configurations.



Ideal for high noise level conditions. One system with three antennas uses two power supplies and double DSP in each master antenna. Precise identification in which area the detection takes place. The protected area is up to 260cm between the antennas, plus 55cm outside the antennas..

SINGLE AISLE SYSTEM

	MS	MM	MMT	NN	NNT
Detection Range cm / inch	100 / 39	110 / 43	130 / 51	110 / 43	260 / 102
Power Supply	1	1	1	—	—
Power Supply for 110V countries	1	1	1	—	—
AC/DC adaptor	—	—	—	2	2
Slave Antenna	1	—	—	—	—
Master Antenna	1	2	—	2	—
Master Turbo	—	—	2	—	2

DUAL AISLE SYSTEM

	MSS	MMM	MMMT	NNN	NNNT
Detection Range cm / inch	200 / 79	220 / 87	260 / 102	220 / 87	260 / 102
Power Supply	1	1	2	—	—
Power Supply for 110V countries	2	2	2	—	—
AC/DC adaptor	—	—	—	3	3
Slave Antenna	2	—	—	—	—
Master Antenna	1	3	—	3	—
Master Turbo	—	—	3	—	3