



HYDRAULIC TORQUE  
WRENCH SYSTEMS

# MAXDRV<sup>®</sup> SERIES

SQUARE DRIVE TORQUE WRENCHES

MAXDRV<sup>®</sup> Series Square Drive Torque Wrenches offer a compact design, constructed of aluminum alloy and super high strength steel alloy for increased strength and durability while minimizing the weight. The MAXDRV<sup>®</sup> Series is available in a 64 ft-lbs. to 17,502 ft-lbs. torque range.



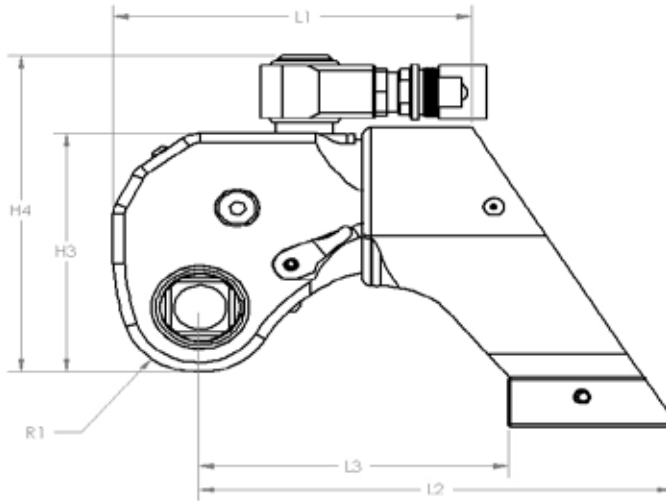
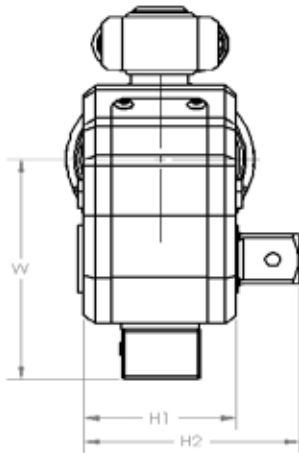
1.844.826.5846

TorsionX.com<sup>®</sup>

# SPECIFICATIONS

## MAXDRV<sup>®</sup> SERIES SQUARE DRIVE TORQUE WRENCHES

Model	.7MD		1MD		3MD		5MD		10MD		17MD	
Torque (Ft-Lbs.)	64 - 793		125 - 1,318		270 - 3,030		538 - 5,480		1,050 - 11,206		1,640 - 17,502	
Torque (Nm)	86 - 1,076		169 - 1,787		366 - 4,108		729 - 7,430		1,423 - 15,193		2,223 - 23,729	
Drive	.75"		.75"		1.00"		1.50"		1.50"		2.50"	
Weight	3.2 lbs	1.45 kg	5 lbs	2.27 kg	11 lbs	5.00 kg	18 lbs	8.16 kg	32 lbs	14.51 kg	61 lbs	27.67 kg
L1	3.90"	99.1 mm	4.83"	122.7 mm	6.18"	157.0 mm	7.47"	189.7 mm	9.36"	237.7 mm	10.85"	275.6 mm
L2	5.08"	129.0 mm	6.23"	158.2 mm	8.13"	206.5 mm	9.73"	247.1 mm	12.22"	310.4 mm	14.20"	360.7 mm
L3	3.32"	84.3 mm	4.11"	104.4 mm	5.31"	134.9 mm	6.41"	162.8 mm	8.02"	203.7 mm	9.19"	233.4 mm
H1	1.62"	41.1 mm	1.97"	50.0 mm	2.63"	66.8 mm	3.16"	80.3 mm	3.95"	100.3 mm	4.63"	117.6 mm
H2	2.56"	65.0 mm	2.88"	73.2 mm	3.72"	94.5 mm	4.93"	125.2 mm	5.75"	146.1 mm	6.98"	177.3 mm
H3	3.02"	76.7 mm	3.77"	95.8 mm	4.88"	124.0 mm	5.97"	151.6 mm	7.35"	186.7 mm	8.50"	215.9 mm
H4	4.29"	108.9 mm	4.97"	126.2 mm	6.46"	164.1 mm	7.71"	195.8 mm	9.04"	229.6 mm	10.36"	263.1 mm
W	1.50"	38.1 mm	3.45"	87.6 mm	4.49"	114.1 mm	5.39"	136.9 mm	6.73"	170.9 mm	7.82"	198.6 mm
R1	.83"	21.1 mm	1.04"	26.4 mm	1.31"	33.3 mm	1.63"	41.4 mm	2.03"	51.6 mm	2.32"	58.9 mm



**TorsionX**  
EXTREME BOLTING FORCE

**1.844.826.5846**

**TorsionX.com**