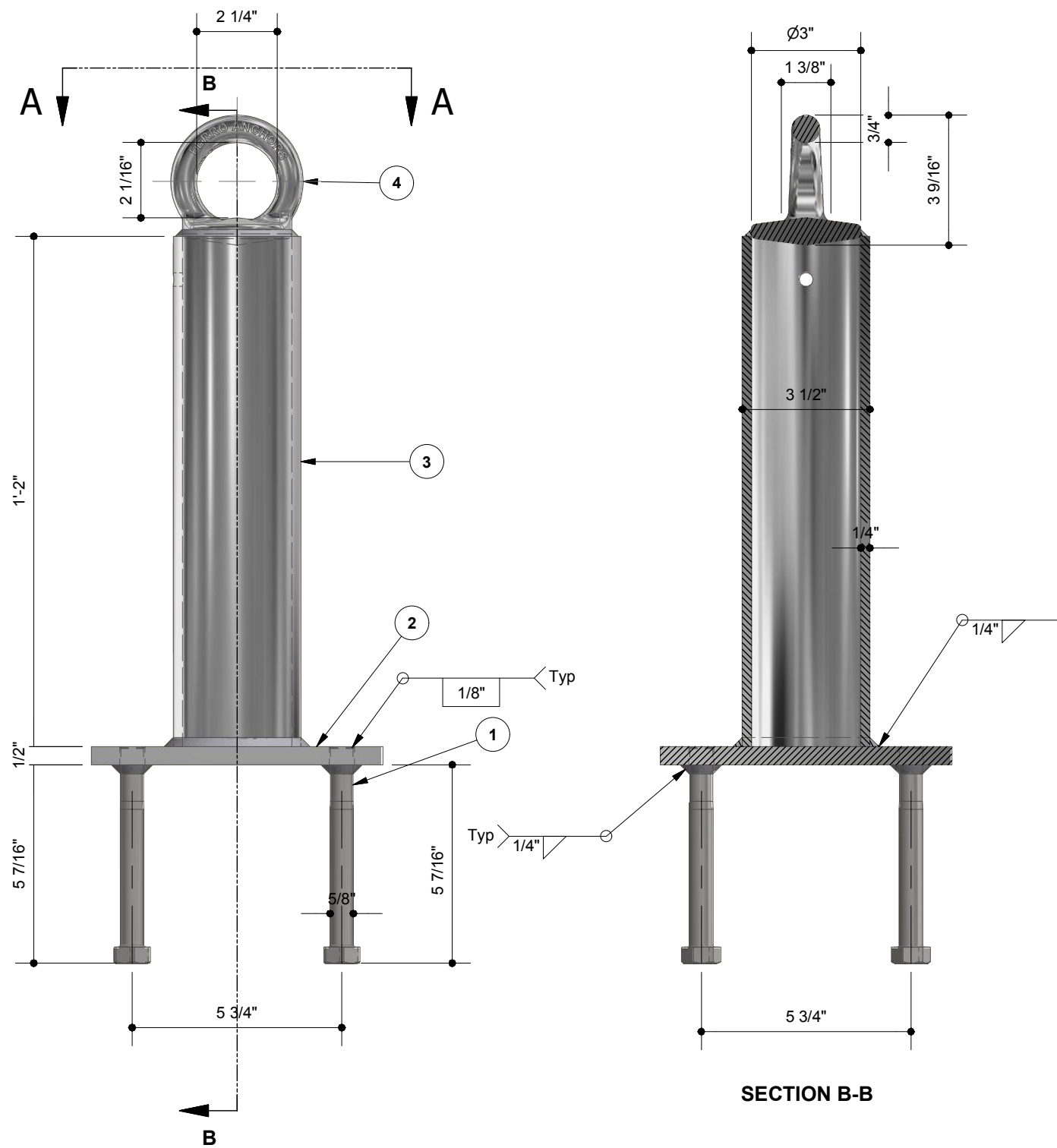
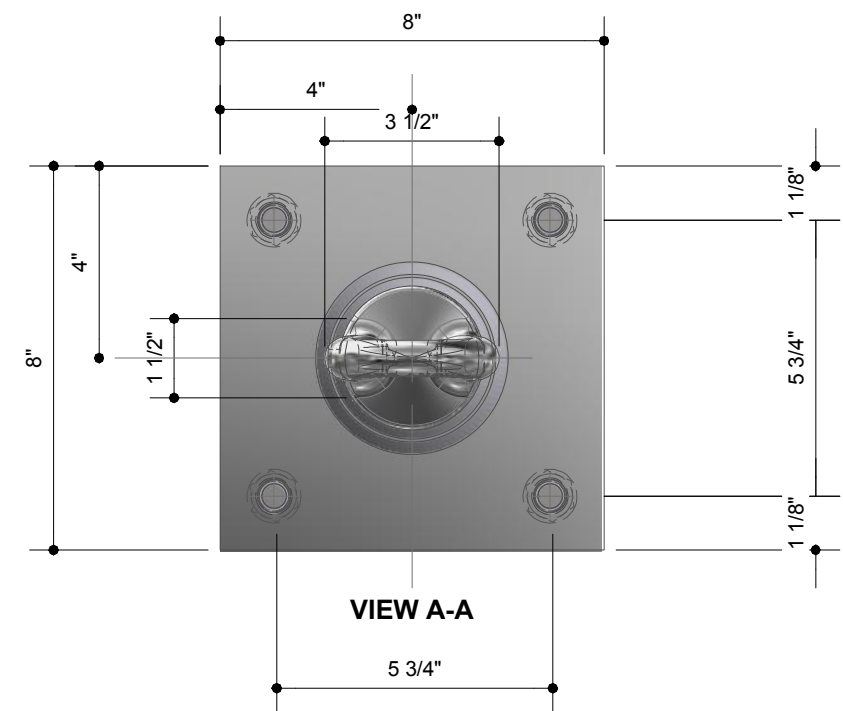


Project:			
Description: FERRO-14		TITLE FALL ARREST ROOF ANCHOR	
 FERRO ANCHORS LTD. Tel: 416-717-9307 www.ferroanchors.com	Design: XX	Dwn: VT	Job Number:
	Chk: AS	Part No: XXXXX	Dwg Number:
	Released Date: 27/01/2018	Scale: N.T.S.	S1



NOTES:
Finish:
 - Zinc Coating (hot dip galvanizing) per ASTM A123 A385



TOTAL: 23.443 lbmass

PARTS LIST					
ITEM	QTY	PART NUMBER	DESCRIPTION	MATERIAL	MASS
1	4	5/8 Stud	Nelson Stud	Steel, Carbon	0.593 lbmass
2	1	Base Plate	350W GType G	Steel, Carbon	8.865 lbmass
3	1	Post	HSS ASTM 500	Steel, Carbon	10.127 lbmass
4	1	Ferro Forged Eye	AISI 1018	Steel, Carbon	1.996 lbmass

Project:			
Description:		TITLE	
FERRO-14		FALL ARREST ROOF ANCHOR	
Design: XX		Dwn: VT	
Chk: AS		Part No: XXXXX	
Released Date: 27/01/2018		Scale: N.T.S.	
FERRO ANCHORS LTD. Tel: 416-717- 9307 www.ferroanchors.com		Job Number:	
		Dwg Number: S2	