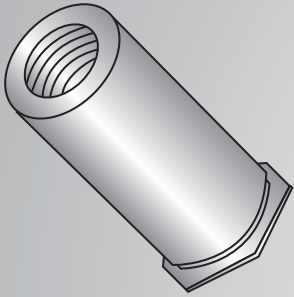
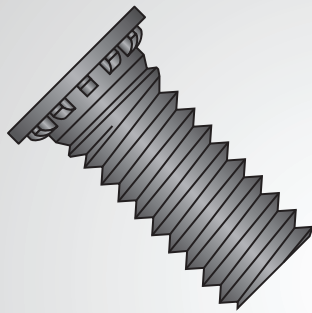


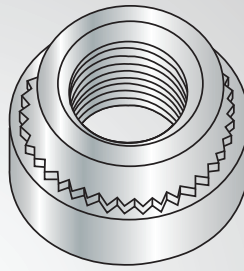
SELF-CLINCHING FASTENERS



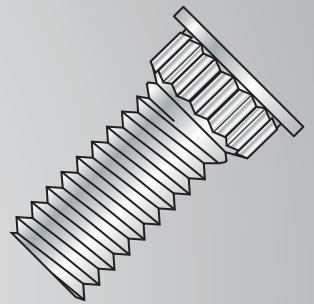
STANDOFFS



FLUSH HEAD STUDS



CLINCH NUTS



**BROACHING-TYPE
STUDS**

- Over 300 Items
- Steel Zinc, Steel Black Oxide & Stainless Steel
- Inch & Metric Sizes